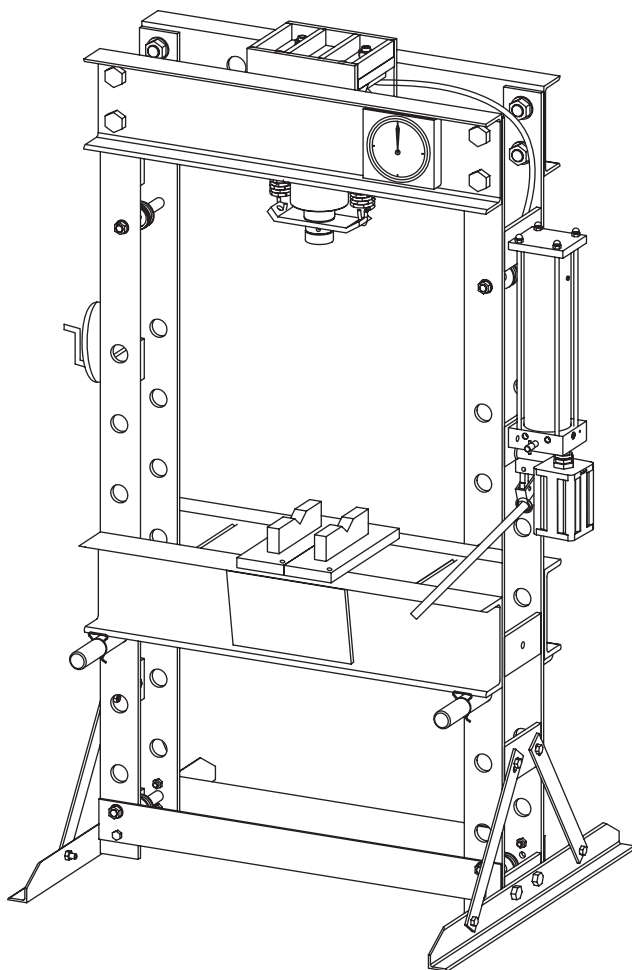


50 TON SHOP PRESS WITH GAUGES

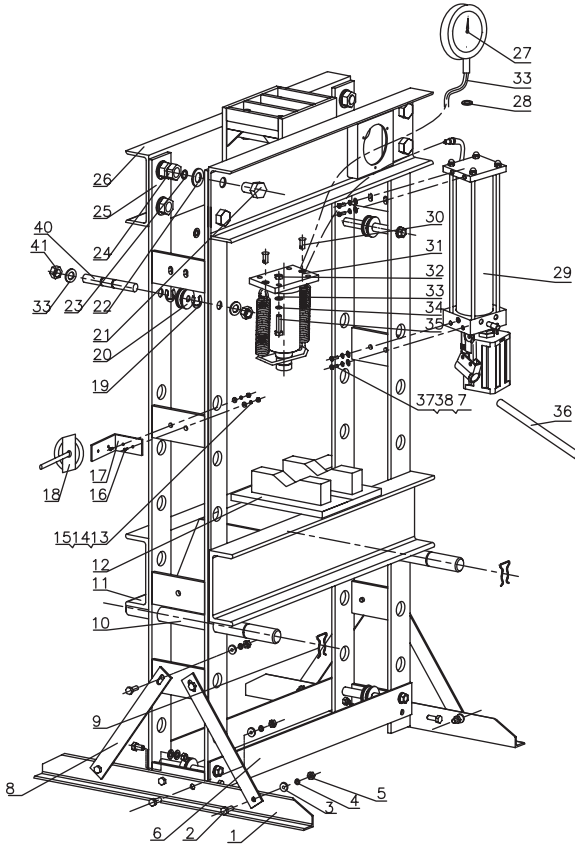
OWNER'S MANUAL & OPERATING INSTRUCTIONS



The small change causes which as a result of the model change does not give showing.

PARTS LIST

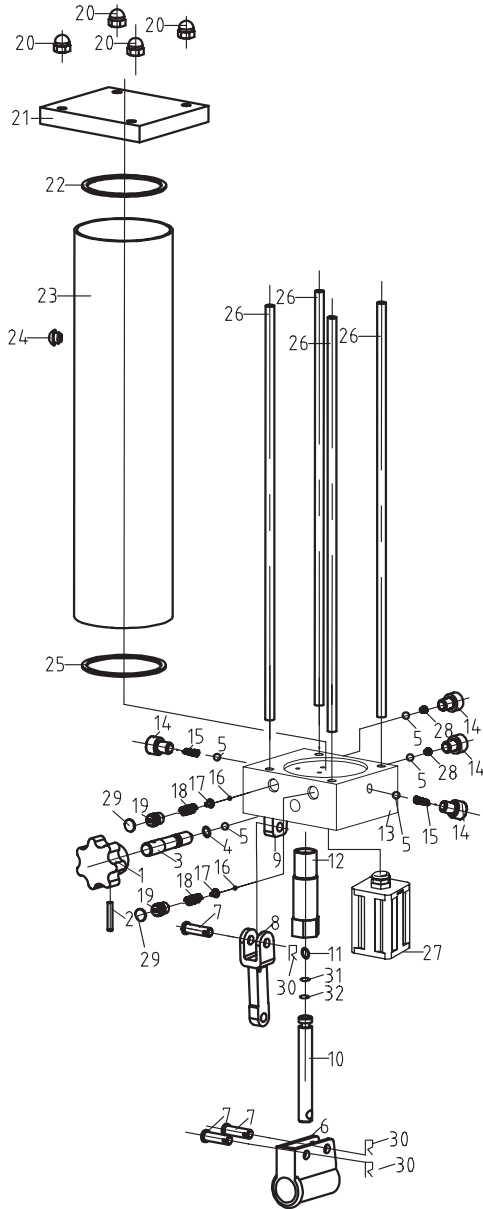
Use the exploded drawing as your guide to assemble. Lay all parts and assemblies out in front of you before beginning.



SHOP PRESS PUMP PARTS LIST

Part	Description	Q'ty	Part	Description	Q'ty	Part	Description	Q'ty	Part	Description	Q'ty
1	Base Section	2	11	Bed Frame	1	21	Bolt M24X50	8	31	Press Cylinder part	1
2	Bolt M12X35	16	12	Heel Block	2	22	Lock Washer 24	8	32	Nut M16	4
3	Washer 12	16	13	Washer 10	4	23	Washer 24	8	33	Washer 16	12
4	Lock Washer 12	16	14	Lock Washer 10	4	24	Nut M24	8	34	Lock Washer 16	4
5	Nut M12	16	15	Nut M10	4	25	Post	2	35	Bolt M16X60	4
6	Board	2	16	Bolt M10X30	4	26	Upper Crossbeam	1	36	Handle	1
7	Bolt M10X25	4	17	Curvy Board	1	27	Pressure Gauge	1	37	Washer 10	4
8	Knighthead	4	18	Take-up	1	28	Nylon Pad	1	38	Lock Washer 10	4
9	Fastener	2	19	split washer	8	29	Press Pump Part	1	39	Vitta for pressure cabin	1
10	Bed Frame Pln	2	20	Wheel	4	30	Extension Spring bolt	2	40	shaft	4
									41	Nylon lock nut M16	8

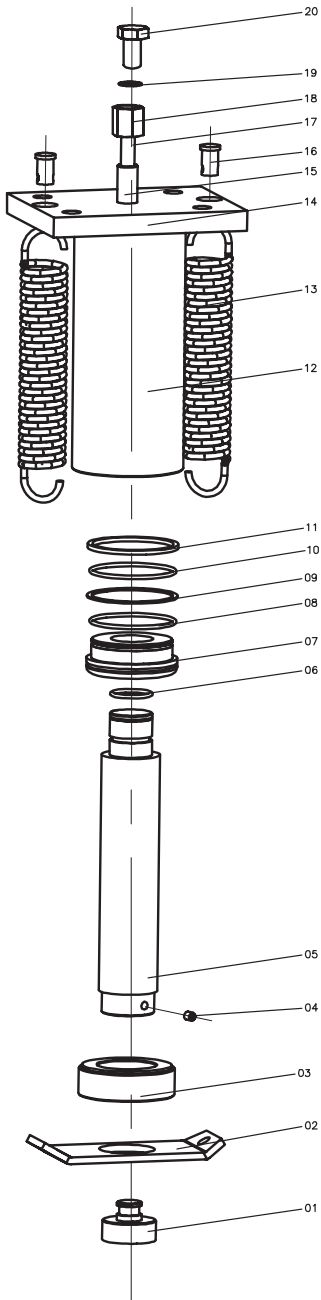
SHOP PRESS PUMP PARTS LIST (a)



SHOP PRESS PUMP PARTS LIST

Part	Description	QTY
01	Knob	1
02	Pin 5x24	1
03	Release valve	1
04	O-ring	1
05	Barl valve	5
06	Handle bracket	1
07	Pin	3
08	Joint pole	1
09	Pole seat	1
10	Piston	1
11	J-ring	1
12	Pump housing	1
13	Base	1
14	Bolt M8x12	4
15	Spring	2
16	Ball valve	2
17	Ball seat	2
18	Spring safety valve	2
19	Screw safety	2
20	Nut M8	4
21	Cover	1
22	O-ring	1
23	Reservoir	1
24	Oil gasket	1
25	O-ring	1
26	Stay bar	4
27	Air pump	1
28	Spring	2
29	onnet	2
30	Bolt	3
31	O-ring	1
32	Washer	1

SHOP PRESS CYLINDER (b)



SHOP PRESS CYLINDER PARTS

Part	Description	QTY
01	Pressure head	1
02	Spring plate	1
03	Guide sleeve	1
04	screw locking M8x10	1
05	Piston rod	1
06	Kit of O-ring	1
07	Piston head	1
08	Kit of O-ring	1
09	Piston seal ring	1
10	Kit of O-rign	1
11	Nut M42x1.5	1
12	Cylinder assembly	1
13	Extension spring	2
14	Soleplate	1
15	Permanent pole	1
16	Extension spring bolt	2
17	Tie-in	1
18	Nut	1
19	Kit of rectangle-ring	1
20	Bolt M20x25	1

BEFORE FIRST USE

- a) Before first use of this product, purge away air from the hydraulic system: open the release valve by turning it counterclockwise. Pump several full strokes to eliminate any air in the system.
- b) Check all parts and conditions, if there is any part broken, stop using it and contact your supplier immediately.

OPERATING INSTRUCTIONS

WARNING! ENSURE THAT YOU READ, UNDERSTAND AND APPLY THE SAFETY INSTRUCTIONS AND WARNINGS BEFORE USE.

- Place the heel block on bed frame, then insert workpiece onto the heel block.
- Connect the air inlet fitting into the shop air supply hose lock fitting, turn on the valve to let the pump work until serrated saddle nears workpiece, then turn off the air valve. When air source is unavailable, pump the handle until serrated saddle nears workpiece.
- Align workpiece and ram to ensure center-loading.
- Turn on air valve (or pump the handle) to apply load onto workpiece.
- When work is done, turn off the air valve (or stop pumping handle), slowly and carefully remove load from workpiece by turning the release valve counterclockwise in small increments.
- Once ram has fully retracted, remove workpiece from bed frame
- Disconnect the air inlet fitting from the air source.

MAINTENANCE

- Clean the outside of the press with dry, clean and soft cloth and periodically lubricate the joints and all moving parts with a light oil as needed.
- When not in use, store the press in a dry location with ram and piston fully retracted.
- When press efficiency drops, purge always air from hydraulic system as described before.
- Check the hydraulic oil; remove the oil filler nut on the top of the reservoir, if the oil is not adequate, fill with high quality hydraulic jack oil as necessary, then replace the oil filler nut, purge away air from the hydraulic system.

SAFETY INSTRUCTIONS

PLEASE READ THESE INSTRUCTIONS CAREFULLY. NOTE THE SAFETY INSTRUCTIONS AND WARNINGS. USE THE PRODUCT CORRECTLY AND WITH CARE FOR THE PURPOSE OF WHICH IT IS INTENDED. FAILURE TO DO SO MAY CAUSE DAMAGE TO PROPERTY AND/OR SERIOUS PERSONAL INJURY. PLEASE KEEP THIS INSTRUCTION MANUAL SAFE FOR FUTURE USE.

We've done all we can to assure this press offers the outmost in safety, but you have to do your part. No amount of warning can take the place of your good judgment, so make sure it's the first thing you bring to any job. Beyond that here are some obvious tips:

- Steel and others materials can shatter, so always use protective eye-wear that complies with the appropriate ANSI code.
- If you detect anything that may indicate imminent structural failure, stop using the press immediately and inspect it thoroughly.
- Bolt the press to the floor if it is to be used on bulky or unstable items.
- Do not use press to compress springs or any other item that could disengage and cause a potential hazard.
- Use a qualified person to maintain the press in good condition. Keep it clean for best and safest performance.
- Do not exceed the rated capacity. Never apply excessive force to a workpiece and always use the pressure gauge to accurately determine the applied load.
- Use this press for the purpose for which it is intended. **DO NOT** use it for any other purpose it is not designed to perform.
- Keep children and unauthorized persons away from the work area.
- Remove ill fitting clothing. Remove ties, watches, rings and other loose jewelry and contain long hair.
- Wear ANSI approved impact safety goggles, full-face impact safety shield and heavy-duty work gloves when operating the press.
- Keep proper balance and footing, do not over-reach and wear nonskid footwear.

SAFETY INSTRUCTIONS

- Only use this press on a surface that is stable, level, dry and not slippery, and capable of sustaining the load. Keep the surface clean, tidy and free from unrelated materials and ensure that there is adequate lighting.
- Inspect the press before each use. DO NOT use if bent, broken, cracked, leaking or otherwise damaged. Any suspect parts are noted or it has been subjected to a shock load.
- Check to ensure that all applicable bolts and nuts are firmly tightened.
- Ensure that workpiece is center-loaded and secure.
- Keep hands and feet away from bed area at all times.
- DO NOT use the shop press to compress spring or any other item that could disengage and cause a potential hazard. Never stand directly in front of loaded press and never leave loaded press unattended.
- DO NOT operate the press when you are tired or under the influence of alcohol, drugs or any intoxicating medication.
- DO NOT allow untrained persons to operate the press.
- DO NOT make any modifications to the press.
- DO NOT use brake fluid or any other improper fluid and avoid mixing different types of oil when adding hydraulic oil. Only good quality hydraulic jack oil can be used.
- DO NOT expose the press to rain or any other kind of bad weather.
- If the press needs repairing and/or there are any parts that need to be replaced, have it repaired by authorized technicians and only use the replacement parts supplied by the manufacturer.

WARNING! The warnings, cautions and instructions discussed in this manual cannot cover all conditions and situations that may occur. It must be understood by the operator that common sense and caution are factors which cannot be built into this product, but must be supplied by the operator.

