



Operator's Instruction Manual

3 TON JACK STANDS

Rated Capacity 6,000-lb
MODEL# T43002T



This is the Safety Alert Symbol. It is used to alert you to potential personal injury hazards. Obey all safety messages that follow this symbol to avoid possible injury or death. Read this Manual and follow all the Safety Rules and Operating Instructions before using this product.



Questions, problems, missing parts? Before returning to your retailer, call our customer service department at 1-888-448-6746, 8 a.m.- 5 p.m., PST, Monday-Friday.

Distributed by TORIN JACKS INC. Ontario, CA 91761



SAFETY INFORMATION

Save these instructions. For your safety, read, understand, and follow the information provided with and on this pair of jack stands before using. The owner and/or operator of this equipment should have an understanding of jack stands and safe operating procedures before attempting to use. The owner and/or operator should be aware that use of this product may require special skills and knowledge. Instructions and safety information should be conveyed in the operator's native language before use of these jack stands is authorized. If any doubt exists as to the safe and proper use of these jack stands as outlined in this factory authorized manual, remove from service immediately.

Inspect before each use. Do not use if parts are broken, bent, cracked, or damaged (including labels). Any jack stand that appears damaged in any way, operates abnormally or is missing parts, should be removed from service immediately and the manufacturer notified. If you suspect that the jack stand was subjected to a shock load (a load suddenly dropped unexpectedly upon it), immediately discontinue use until stands have been checked by a factory authorized service center (contact distributor or manufacturer for list of Authorized Service Centers). Have a qualified professional perform an annual inspection. Labels and owner's manuals are available from manufacturer. No replacement parts are available for these devices. Replace as a matched set only.

* Product Description

Jack Stands are designed to support rated capacity, partial vehicle loads consisting of one end of a vehicle. Use as a matched pair to support one end of a vehicle only.



NEVER use automotive jack stands to support both ends or one side of a vehicle!
Use only 1 pair per vehicle. Rated capacity is per pair only!



WARNING!

1. Read-Study and understand all warning and operating instructions prior to use.
2. DO NOT OVERLOAD these jack stands beyond their rated capacity.
3. These jack stands are designed for use on hard level surfaces only.
4. Center load on saddle prior to lifting. Use as a matched pair to support one end of a vehicle only.
5. Stands are not to be used to simultaneously support both ends or one side of a vehicle.
6. No alterations shall be made to this product.
7. Failure to heed these warnings may result in damage to jack stands and/or failure resulting in personal injury or property damage.
8. Inspect before each use.



Be sure all tools and personnel are clear before lowering load. Use only attachments and/or adapters supplied by the manufacturer. Lift only on areas of the vehicle as specified by the vehicle manufacturer.

* Inspection

Inspect the Jack Stands before each use. Do not use if components are bent, broken or cracked.

PREPARATION

Before beginning assembly of product, make sure all parts are present. Compare parts with package contents list and diagram below. If any part is missing or damaged, do not attempt to assemble, install or operate the product. Contact customer service.

Estimated Assembly Time: 15 minutes

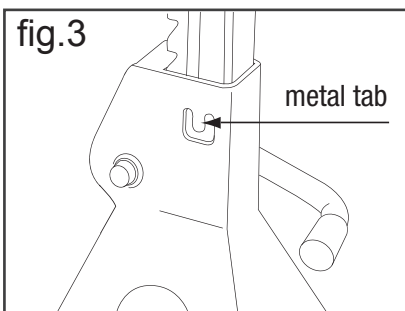
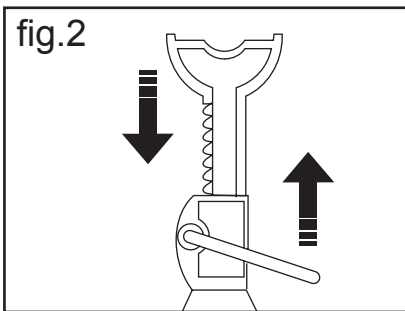
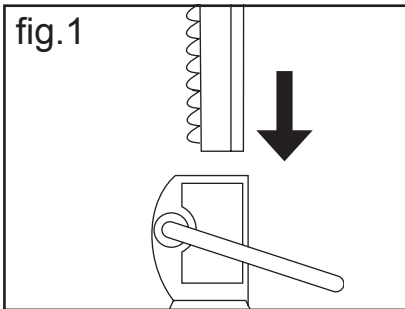
Tools Required for Assembly: Hammer and punch (Not included).

* Before Use

1. Inspect stands before each use. Do not use if components are bent, broken or cracked. Ensure that all parts move freely.
2. Verify that the product and the application are compatible. If in doubt, contact Customer Support
3. Before using this product, read the owner's manual and familiarize yourself thoroughly with the product and the hazards associated with its improper use.
4. Always check the vehicle owners or service manual for location of proper lift and support points.

ASSEMBLY INSTRUCTIONS

1. Install ratchet bar into frame (fig.1) with ratchet portion of bar aligned with locking pawl (stopper).
2. Move the ratchet bar to its lowest position by raising the locking handle, thereby releasing the stopper, and guiding the bar downward (fig. 2).
3. Bend metal tab in (Fig. 3) using a hammer and punch. This will help prevent inadvertent separation of the ratchet bar from base frame.



DESCRIPTION

Model **T43002T** features a **6,000-lb.Z** maximum capacity. The jack features an overlaid valve bypass system to prevent jack damage and user injury.

Specifications:

Compact Design allows use in confined spaces

Maximum Load Capacity.....3 tons (6,000-lb.)

Minimum Lifting Height.....11¼ inch

Maximum Lifting Height.....16¾ inch

WARNING: This Product contains chemicals known to the state of California to cause cancer and birth defects or other reproductive harm.

OPERATING INSTRUCTIONS

1. Adjust height by pulling up on ratchet bar.
2. The weight of the locking handle should secure the ratchet bar in desired position. To confirm this, simply push down on the locking handle. Check to ensure ratchet is secure before loading.
3. Carefully position jack stands so that load is centered on stand's saddle.
4. Slowly lower the vehicle onto the stands.
5. Check to ensure vehicle is secure before working on, around or under. When used to support vehicle, use wheel chocks on all unlifted wheels in both directions to prevent inadvertent movement.

To lower load

1. Ensure that all tools, equipment and personnel are clear before lowering load.
2. With suitable jack, raise vehicle clear of stands.
3. Carefully release stopper and allow ratchet to glide down to lowest position.
4. Carefully remove stands, then carefully lower vehicle with lift device.

CARE AND MAINTENANCE

Periodically inspect each stand. Ensure all parts move freely. Do not apply oil or grease to any portion of this product. If rust appears, sand affected area and cover with suitable utility paint. Please note that there is no replacement part applicable to this device.

* Storage

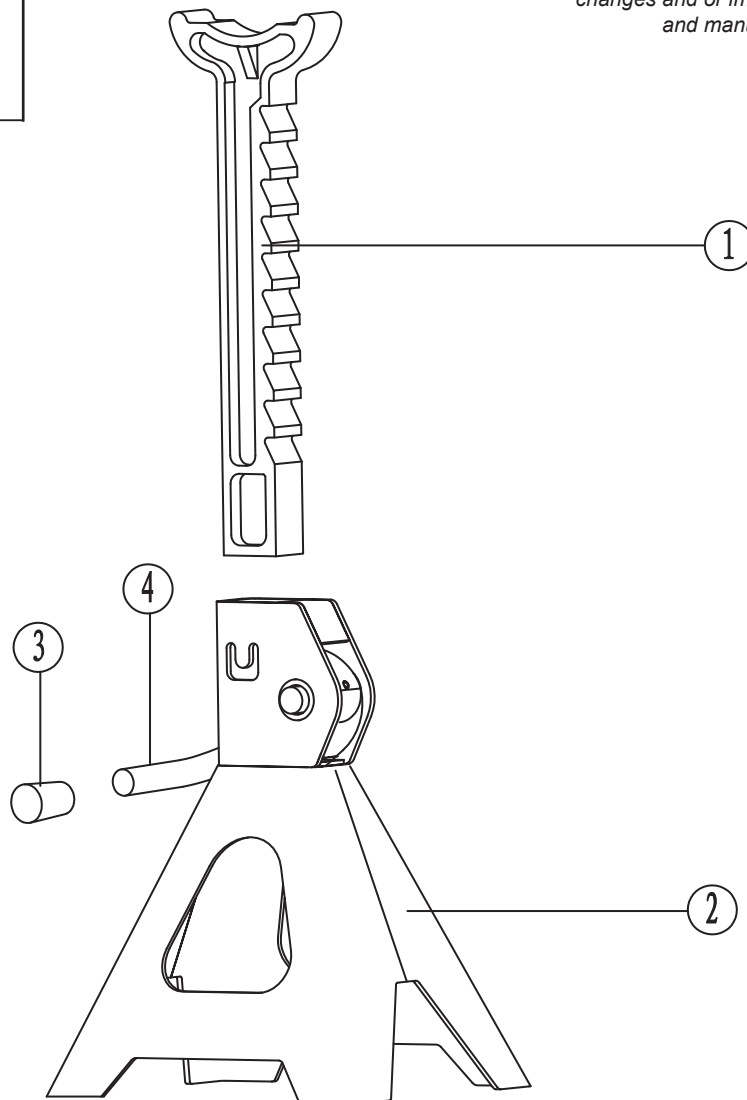
Store stands in upright position and in a clean, dry area.

PARTS LIST

Item Index No.	Description	Quantity
1	Gear rack	1
2	Base Frame	1
3	Lever outer	1
4	Lever	1

Safe Operating Temperature is between
40°F – 105°F (4°C - 41°C)

The manufacturer reserves the rights to make design changes and or improvements to product lines and manuals without notice.



REPLACEMENT PARTS

For replacement parts Customer Service at 1-888-448-6746, 8 a.m. - 5 p.m., PST, Monday - Friday. Not all equipment components are available for replacement, illustrations provided are a convenient reference of location and position in the assembly sequence. When ordering parts the following will be required: Model Number, Serial Number and Description.



WARRANTY

ONE YEAR LIMITED WARRANTY

Torin® has been producing quality automotive repair and maintenance products since 1968. All products are sold are felt to be of the highest quality and are covered by the following warranty:

With proof of purchase for a period of one year from the date of that purchase, the manufacturer will repair or replace, at its discretion, without charge, any of its products or parts thereof which fail due to a defect in material or workmanship.

This warranty does not cover damage or defects caused by improper use, careless use or abuse of the equipment. This warranty does not cover parts normally considered to wear out or be consumed in the normal operation of the equipment.

Except where such limitations and exclusions are specifically prohibited by applicable law, (1) the CONSUMER'S SOLE AND EXCLUSIVE REMEDY SHALL BE THE REPAIR OR REPLACEMENT OF DEFECTIVE PRODUCTS AS DESCRIBED ABOVE, and (2) THE MANUFACTURER SHALL NOT BE LIABLE FOR ANY CONSEQUENTIAL OR INCIDENTAL DAMAGE OR LOSS WHATSOEVER, and (3) THE DURATION OF ANY AND ALL EXPRESSED AND IMPLIED WARRANTIES, INCLUDING, WITHOUT LIMITATION, ANY WARRANTIES OF MERCHANTABILITY AND FITNESS FOR A PARTICULAR PURPOSE, IS LIMITED TO A PERIOD OF ONE YEAR FROM DATE OF PURCHASE.

For any technical questions or warranty support please contact:

Torin® Customer Service directly by telephone at 1-888-44-TORIN (1-888-448-6746)

8:00am - 4:30 pm Pacific Time, Monday - Friday.

Alternately Customer Service can be reached through www.torinjacks.com or via email at info@torinjacks.com.

