

Torin®
BIG
RED JACKS

ITEM. TQ35001

Operator's Manual

AIR FLOOR JACK



WARNING: Before using this appliance, read this operator's Manual and follow all its Safety Rules and Operating Instructions.

Main data of 35 Ton AIR SERVICE JACK

Lifting Capacity	Lifting Range	Air Pressure
35 TON	10.2 inch ~ 19.6 inch	100 - 125 psi

Assembling the 35 Ton Air/Hydraulic Bottle Jack

1. The jack comes fully assembled and easily connects to an air compressor. Figure 1 shows proper jack/air compressor connection. The air hose connecting the air compressor with the jack should be as short as possible. Installation of an air filter and oiler on the compressor end is recommended. Use of a 3 horsepower or large compressor as recommended.

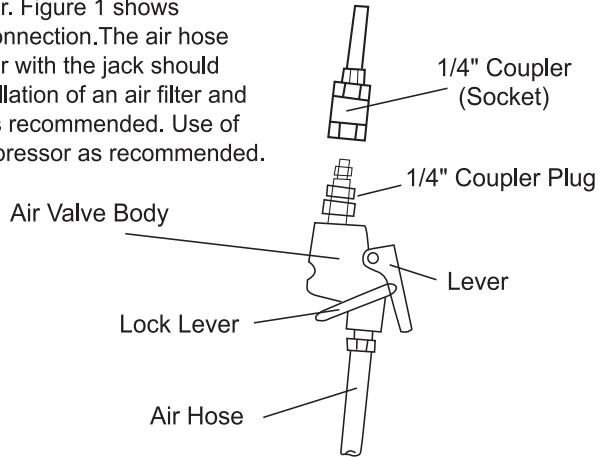


Figure 1

1. Adapter Holder needs to be assembled the Handle (#5-1-2) as shown in Figure 2. Use 2 Bolts, 2 Nuts and 2 Spring Washers to complete this assembly.

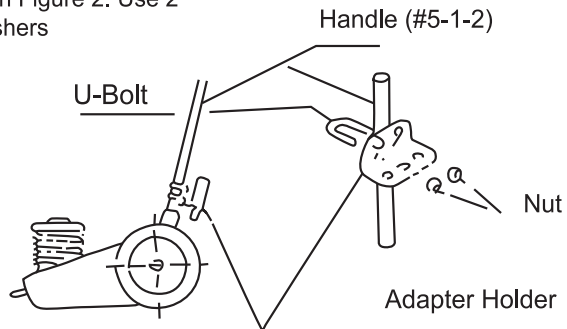


Figure 2

Operating the 35 Ton Air/Hydraulic Floor Jack

The air compressor hose properly hooked up to the Air Valve Assembly (#7-19), the jack is ready to be used. Test the jack before attempting to lift a vehicle.

Take the Air Valve Assembly from the Handle, and squeeze the Lever to raise the Piston. By Locking the Lock Lever in place, The Piston will be raised automatically.

Stop the Piston movement, release the Lock Lever (squeeze the Lever tightly against the Air Valve Body and moving away the Lock Lever), and release the Lever, allowing it to return to its original position.

Lower the Piston: As shown in Figure 3, slowly turn the handle Knob (#5-2) counterclockwise to open the Release valve, When the Piston is lowered, close the handle Knob by turning clockwise.

Change the Handle position (see Figure 3) pull up the Lock Lever (#5-14) which releases the Handle lock. Position the handle in one of three available positions. Make sure the handle engages in one of the three position holes, and put down the Lock Lever to lock Handle in place.

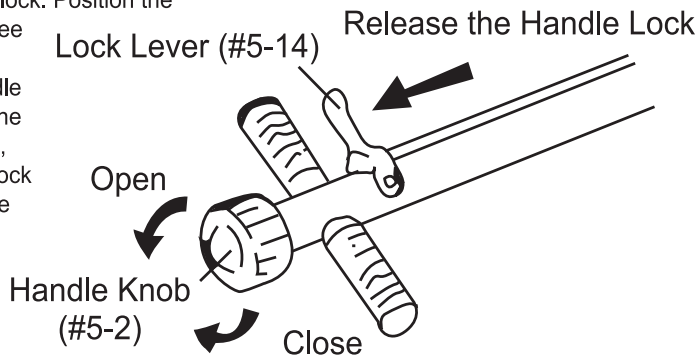


Figure 3

Handle is to be used only for moving the jack.

The jack comes with three lifting Adapters. The Adapters are used individually and drop into the top of the Piston Rod Assembly. Before lifting a vehicle, inspect the vehicle's contact point which will come in contact with the jack Adapter. Pick an Adapter which has the right size and shape to match this contact point.

Always make sure the contact point and the Adapter are clean and grease free before attempting to lift the vehicle. Make sure the Adapter is positioned directly under the contact point before attempting to jack up the vehicle.

Maintenance

Note: The jack's safety valve has been calibrated by the manufacturer. Never attempt to disassemble the safety valve.

As shown in Figure 4, use a good quality hydraulic tool oil once or twice per month to lubricate the Air Valve.

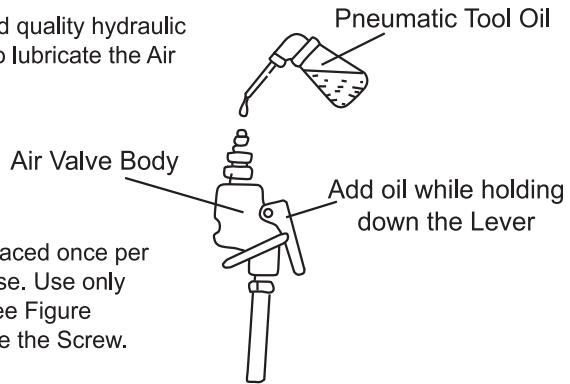


Figure 4

Oil in the Oil Tank should be replaced once per year, or more often with heavy use. Use only good quality hydraulic tool oil. See Figure 5 - To access the oil tank, remove the Screw.

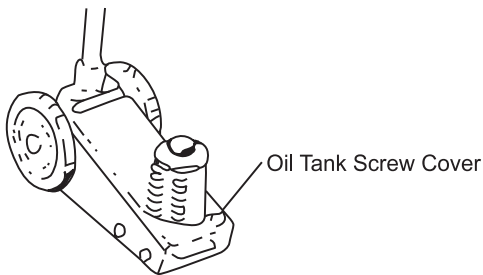


Figure 5

Note: Occasionally, air bubbles can become trapped inside the hydraulic system thereby reducing the efficiency of the jack. Purge air from the hydraulic system as needed by following the below listed steps (see Figure 6):

1. Remove the Upper Cover (#6-12).
2. Loosen the Bolt one half a turn.
3. Close the Release Valve.
4. Operate the Air Pump while repeatedly tightening and loosening the Bolt.
5. Tighten the Bolt when the piston begins to rise. Verify that the piston can rise to the maximum height position.

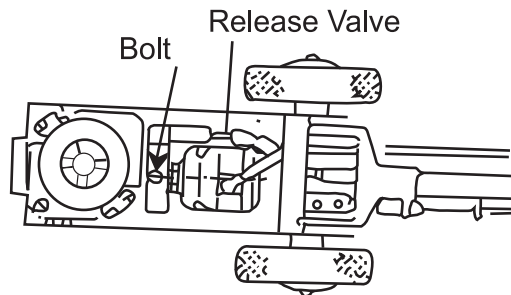
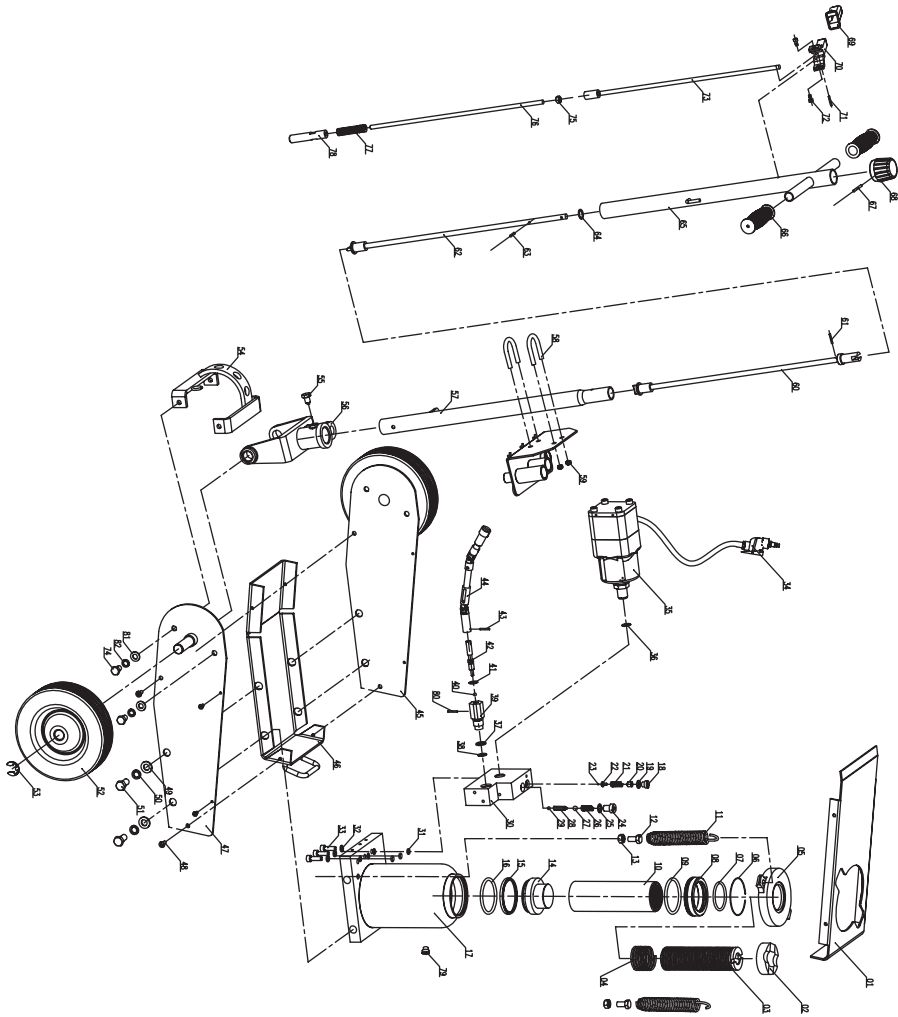


Figure 6

PARTS LIST

Part#	Description	QTY	Part#	Description	QTY
01	Cover	1	42	Release Valve Rod	1
02	Coping	1	43	Pin	1
03	Screw	1	44	Gimbal	1
04	Bushing	1	45	Right Wallboard	1
05	Spring Hunger	1	46	Bed	1
06	Snap ring	1	47	Left Wallboard	1
07	O ring	1	48	Bolt M6X12	4
08	Bushing	1	49	Washer 12	4
09	O ring	1	50	Spring Washer 12	4
10	Piston Rod	1	51	Bolt M12X25	2
11	Spring	2	52	Wheel	2
12	Bolt M10X20	2	53	Snap ring	2
13	Nut M10	2	54	Bracket	1
14	Piston	1	55	Bolt	1
15	Seal Ring	1	56	Handle Socket	1
16	O Ring	1	57	Handle B	1
17	Parts of Base	1	58	U Bolt	2
18	Valve Plug Screw	1	59	Nut	2
19	Sealing Washer	1	60	Convey Rod	1
20	Bolt	1	61	Pin	1
21	Spring	1	62	Convey Rod	1
22	Spring Seat	1	63	Pin	1
23	Steel Ball	1	64	Washer	1
24	Bolt	1	65	Handle A	1
25	O Ring	1	66	Handle Sleeve	1
26	Spring	1	67	Pin	1
27	Steel Ball	1	68	Knob	1
28	Pin	1	69	Handle Sleeve	1
29	Steel Ball	1	70	Lock Lever	1
30	Valve Block	1	71	Pin	1
31	O Ring	1	72	Bolt	2
32	Spring Washer	1	73	Control Rod A	1
33	Bolt	1	74	Bolt M10X16	4
34	Air Hose	1	75	Nut	1
35	Air Pump	1	76	Control Rod B	1
36	Washer	1	77	Spring	1
37	O Ring	1	78	Lock Pin	1
38	Washer	1	79	Oil Plug	1
39	Release Valve	1	80	Pin	1
40	Steel Ball	1	81	Washer	4
41	O ring	1	82	Spring Washer	4





FOR AFTER SALE PARTS AND SERVICE:

Call 8 AM - 5 PM PST., Monday - Friday
1-888-448-6746

**POUR OBTENIR DES PIÈCES DÉTACHÉES
ET UN SERVICE APRÈS VENTE :**

Appelez entre 8:00 et 17:00 heure du Pacifique,
du lundi au vendredi
1-888-448-6746

PARA VENTA DE PARTES Y SERVICIO:

Llame 8 AM - 5 PM Tiempo Pacifico., Lunes - Viernes
1-888-448-6746