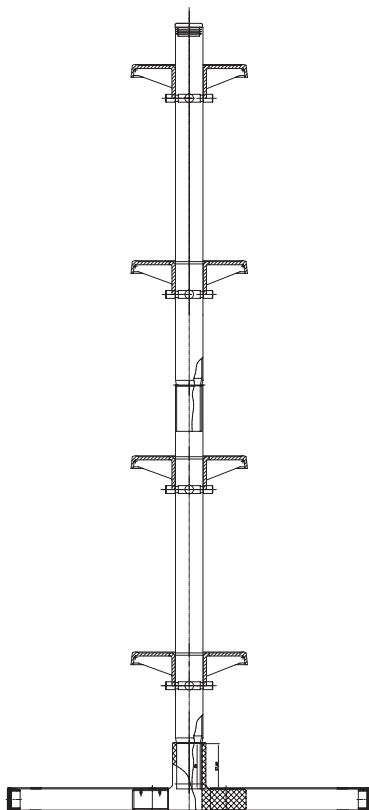




## Tire Stand with Wheels

Model: TL8252



### ASSEMBLY AND OPERATING INSTRUCTIONS

To prevent serious injury, read and understand all warnings and instructions before use.

## SPECIFICATIONS

Maximum	4 Tires/275 lb(125 kg)
Overall dimensions	21 1/8 x 20 x 42 1/4(53.6 x 51 x 107 cm)
Net weight	9.9 lb(4.5 kg)

## SAVE THIS MANUAL

You will need this manual for the safety warnings and precautions, the assembly and operating instructions, inspection, maintenance and cleaning procedures, parts list and assembly diagram. Keep your invoice with this manual. Keep this manual and invoice in a safe and dry place for future reference.

## GENERAL SAFETY RULES

### Warning!

READ AND UNDERSTAND ALL INSTRUCTIONS.

Failure to follow all instructions listed below may result in serious injury.

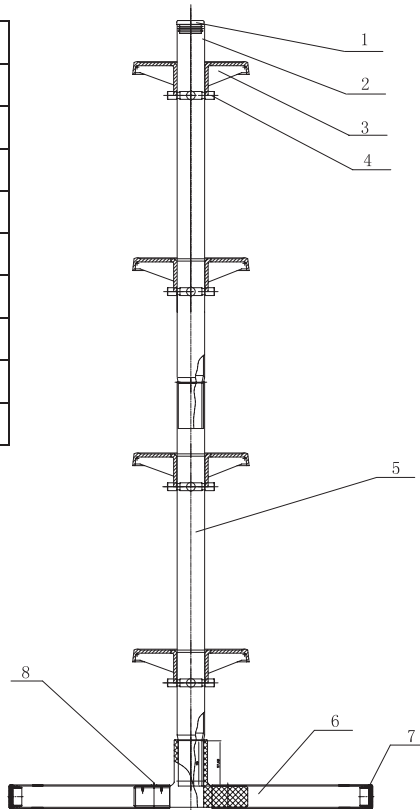
Save these instructions.

1. Keep your work area clean and well lit. Cluttered benches and dark areas invite accidents.
2. Keep bystanders, children, and visitors away. Distractions can cause you to lose control. Keep children out of the work area.
3. Stay alert. Watch what you are doing and use common sense during assembly and use of this product.
4. Dress properly during assembly. Do not wear loose clothing or jewellery. Contain long hair.
5. Do not overreach. Keep proper footing and balance at all times.
6. Use safety equipment during assembly. Always wear eye protection. Wear ANSI-approved safety goggles when assembling the Tire Stand.
7. Do not force the product. Use the correct product for your application. The correct product will do the job better and safer at the rate for which it is designed. Do not force the product and do not use it for a purpose for which it is not intended.
8. Store Tire Stand out of reach of children and other untrained persons.
9. Use only accessories that are recommended by the manufacturer for your model. Accessories that may be suitable for one product may become hazardous when used on another product.
10. Do not remove labels and nameplates on Tire Stand. These carry important information.
11. Maintain a safe working environment. Make sure there is adequate, surrounding workplace. Do not use this product in a damp or wet location.
12. Do not exceed the maximum weight capacity 275 lb(125 kg).

## ASSEMBLY INSTRUCTIONS

- Step 1: Insert 2 bolts (#3) into the hole on the base (#2 and #7), until bolt holes are aligned in the base.
- Step 2: Insert 6 sleeve nuts (#8) from above through the steel frame and tighten it on the caster (#14)/locking wheel (#5). Place the two locking wheel into the upper left hole and the lower right hole on each U base.
- Step 3: Insert tube 1 (#9) into the T base (#7).
- Step 4: Insert tube 2 (#12) into the tube 1 (#9).
- Step 5: Place the saddle (#11) onto the hole, and attach it using the pins (#10).
- Step 6: Now go back and tighten all those nuts and bolts.
- (Suggested torque: 60 in-lb)

PARTS LIST		
No.	Description	Qty
1	Cap	1
2	Tube 2	1
3	Saddle	4
4	Pin	4
5	Tube 1	1
6	Base	1
7	Cap	4
8	Connect	1



## OPERATING INSTRUCTION

1. Set the Tire Stand up in the desired location.
2. Place the first wheel on the Tire Stand, and attach the saddle using the pin. Do the same for the next wheel.
3. Do not exceed the maximum capacity 275 lb (125 kg).

## INSPECTION, MAINTENANCE AND CLEANING

1. Clean the Tire Stand with a damp cloth. Do not use abrasives, harsh chemicals or detergents, because these substances will scratch and damage the Tire Stand.
2. Before each use, inspect the general condition of the Tire Stand. Check for loose screws, misaligned, bent, cracked or broken parts, and any other condition that may affect its safe operation. Do not use damaged equipment.

## PLEASE READ THE FOLLOWING CAREFULLY

THE MANUFACTURER AND/OR DISTRIBUTOR HAS PROVIDED THE PARTS LIST AND ASSEMBLY DIAGRAM IN THIS MANUAL AS A REFERENCE TOOL ONLY. NEITHER THE MANUFACTURER NOR THE DISTRIBUTOR MAKES ANY REPRESENTATION OR WARRANTY OF ANY KIND TO THE BUYER THAT HE OR SHE IS QUALIFIED TO MAKE ANY REPAIRS TO THE PRODUCT, OR THAT HE OR SHE IS QUALIFIED TO REPLACE ANY PARTS OF THE PRODUCT. IN FACT, THE MANUFACTURER AND/OR DISTRIBUTOR EXPRESSLY STATES THAT ALL REPAIRS AND PARTS REPLACEMENT SHOULD BE UNDERTAKEN BY CERTIFIED AND LICENCED TECHNICIANS, AND NOT BY THE BUYER. THE BUYER ASSUMES ALL RISK AND LIABILITY ARISING OUT OF HIS OR HER REPAIRS TO THE ORIGINAL PRODUCT OR REPLACEMENT PARTS THERRETO, OR ARISING OUT OF HIS OR HER INSTALLATION OF REPLACEMENT PARTS THERETO.

## WARNING!

- Do not place under auto mobile tires to move or reposition vehicle
- Do not exceed rated capacity--275 lb
- Do not use as a toy or skateboard
- Do not stand on unit or use a stepping device
- Do not use if one or more wheels are inoperative--repair before re-use
- Do not use if any part of the support structure is broken, split or cracked
- When not in use, unit should be stored in a secure place
- Always store in an upright position, on a flat surface with casters locked
- Keep out of the reach of children



FOR AFTER SALE PARTS AND SERVICE:  
Call 8 AM - 5 PM PST., Monday - Friday  
1-888-448-6746

Made in China