



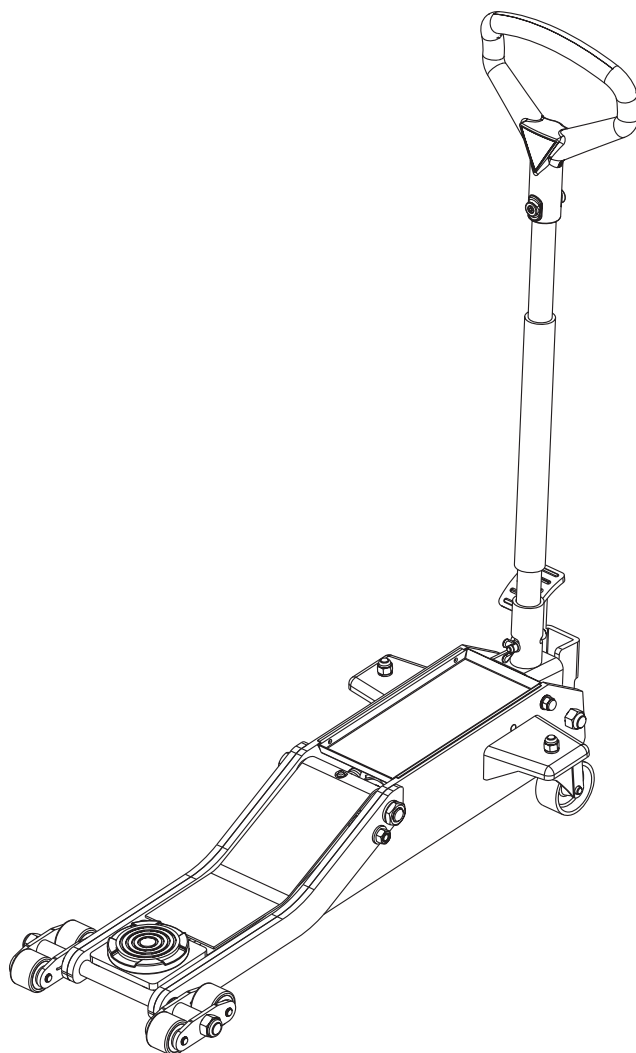
2 Ton Professional Low Profile Service Jack

40,000 lbs. CAPACITY
Lifting Range: 3" - 20-1/16"

MODEL# TCE82002

Français p. 7

Español p. 13



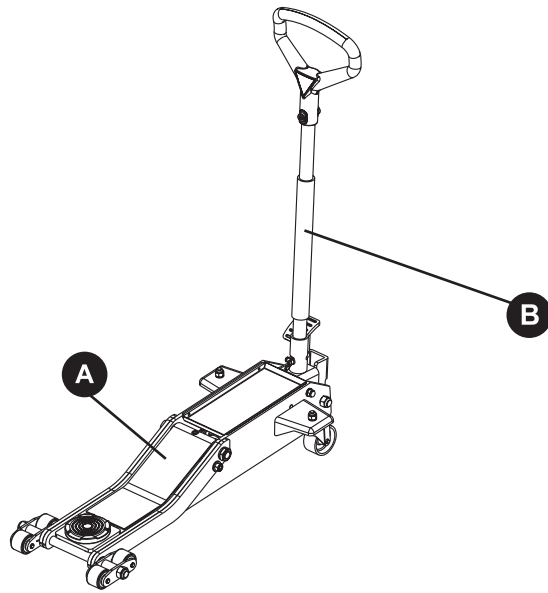
This is the safety alert symbol. It is used to alert you to potential personal injury hazards. Obey all safety messages that follow this symbol to avoid possible injury or death.



Questions, problems, missing parts? Before returning to your retailer, call our customer service department at 1-888-448-6746, 8 a.m. - 5 p.m., PST, Monday-Friday.

PACKAGE CONTENTS

Part	Description	Quantity
A	Jack	1
B	Pump Handle	1



SAFETY INFORMATION

Save these instructions. For your safety, read, understand, and follow the information provided with and on this jack before using. The owner and/or operator of this equipment shall have an understanding of this jack and safe operating procedures before attempting to use. The owner and/or operator shall be aware that the use and repair of this product may require special skills and knowledge. Instructions and safety information shall be conveyed in the operator's native language before use of this jack is authorized. If any doubt exists as to the safe and proper use of this jack, remove from service immediately.

Inspect before each use. Do not use if broken, bent, cracked, or damaged parts (including labels) are noted. Any jack that appears damaged in any way, operates abnormally or is missing parts, shall be removed from service immediately. If you suspect that the jack was subjected to a shock load (a load suddenly dropped unexpectedly upon it), immediately discontinue use until the jack has been checked by a factory authorized service center (contact distributor or manufacturer for list of Authorized Service Centers). It is recommended that an annual inspection be done by qualified personnel. Labels and owner's manuals are available from manufacturer.

PRODUCT DESCRIPTION

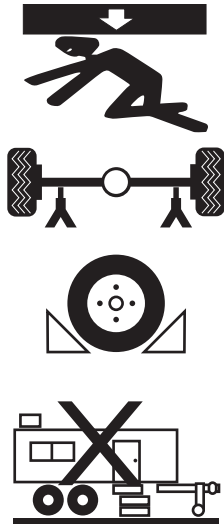
Hydraulic Floor Jacks are designed to lift, but not support, one end of a vehicle. Hydraulic Floor Jacks must be used in conjunction with a pair of appropriately rated jack stands.



NEVER use an automotive jack as a stand-alone device. After lifting, immediately support the lifted load with a pair of appropriately rated vehicle support stands

WARNING!

1. READ, STUDY AND UNDERSTAND ALL WARNINGS AND OPERATING INSTRUCTIONS PRIOR TO USE.
2. DO NOT OVERLOAD THIS JACK BEYOND THE RATED CAPACITY.
3. THIS JACK IS DESIGNED FOR USE ONLY ON HARD LEVEL SURFACES CAPABLE OF SUSTAINING THE LOAD.
4. THIS IS A LIFTING DEVICE ONLY. THE LOAD MUST BE SUPPORTED IMMEDIATELY BY JACK STANDS.
5. DO NOT GET UNDER OR ALLOW ANYONE UNDER THE VEHICLE UNTIL IT HAS BEEN SUPPORTED BY JACK STANDS.
6. LIFT ONLY ON AREAS OF THE VEHICLE AS SPECIFIED BY THE VEHICLE MANUFACTURER.
7. CENTER LOAD ON SADDLE PRIOR TO LIFTING.
8. SOME VEHICLES REQUIRE AN ADAPTER TO PROPERLY ENGAGE THE FRAME FOR LIFTING. USE VEHICLE MANUFACTURERS INSTRUCTIONS ON PROPER LIFTING.
9. NO ALTERATIONS TO THE JACK SHALL BE MADE.
10. ONLY ATTACHMENTS, RESTRAINTS, OR ADAPTERS SUPPLIED BY THE MANUFACTURER SHALL BE USED.
11. FAILURE TO HEED THESE WARNINGS MAY RESULT IN PERSONAL INJURY AND/OR PROPERTY DAMAGE.

	<p style="text-align: center;">! WARNING!</p> <p>To avoid crushing and related injuries:</p> <ul style="list-style-type: none"> • Never work on, under, or around a load supported only by a hydraulic jack. • Read, understand and follow all printed materials provided with and on this jack. • Immediately support the lifted load with a pair of appropriately rated jack stands. • Use ONLY on vehicles whose lift points are compatible with the saddle of this jack. Incompatibility may result in structural damage to the vehicle and/or jack. • Chock each un-lifted tire in both directions. • Be alert and sober when servicing a vehicle! Never operate this equipment when under the influence of drugs or alcohol. • DO NOT use this device to lift, level, lower, support, adjust or otherwise move a house, mobile home, travel trailer, camper, or building structure of any type, size or configuration.
---	--

! Be sure all tools and personnel are clear before lowering load. Only attachments and/or adapters supplied by the manufacturer shall be used. Lift only on areas of the vehicle as specified by the vehicle manufacturer.

PREPARATION


BEFORE USE (refer to Fig 1)

1. Verify that the product and the application are compatible. If in doubt, contact Customer Support.
2. Before using this product, read the owner's manual completely and familiarize yourself thoroughly with the product and its components, and recognize the hazards associated with its use.
3. To familiarize yourself with basic operation, use the stamped end of the provided handle to engage and turn the release valve:
 - a. Clockwise until firm resistance is felt to further thread engagement. This is the 'CLOSED' release valve position used to raise the load.
 - b. Counterclockwise, but no more than 1/2 turn from the closed position. This is the 'OPEN' release valve position used to lower the load.
4. With saddle fully lowered, locate and remove the cover plate, then remove the oil filler plug. Insert the handle into the handle sleeve; then pump 6 to 8 full strokes. This will help release any pressurized air which may be trapped within the reservoir. Check oil level. Proper oil level will vary from just covering the ram cylinder to 3/16 in. above it as seen from the oil filler plug hole. Reinstall the oil filler plug.
5. Check to ensure that jack rolls freely (if so equipped) and that the pump operates smoothly before putting into service. Replace worn or damaged parts and assemblies with factory authorized replacement parts only. Contact the manufacturer or distributor of this product for a list of factory authorized service centers. Lubricate as instructed in Maintenance Section.

Bleeding / Venting Trapped Air


With the release valve in the OPEN position and with saddle fully lowered, locate and remove the oil filler plug. Insert the handle into the handle sleeve; then pump 6 to 8 full strokes. This will help release any pressurized air which may be trapped within the reservoir. Oil level should be even with the bottom of the oil filler plug hole. Reinstall the oil filler plug.

OPERATING INSTRUCTIONS (Refer to Fig.1)

 This is the safety alert symbol. It is used to alert you to potential personal injury hazards. Obey all safety messages that follow this symbol to avoid possible injury or death.

Lifting

1. Place vehicle in park with emergency brake on and wheels securely chocked to prevent inadvertent vehicle movement.
2. Locate and close release valve by turning handle clockwise until firm resistance is felt to further thread engagement. Center jack saddle under lift point.
3. Verify lift point, insert handle into handle sleeve and pump to contact lift point. To lift, pump handle until load reaches desired height.
4. Transfer the load immediately to a pair of appropriately rated jack stands.

 Use only the handle assembly provided by the jack manufacturer. The handle assembly provided with this jack will safely engage the release valve and operate the handle sleeve. If the handle is worn, operates abnormally, or will not positively engage the release valve, STOP. Discontinue use of the jack until a factory replacement handle assembly can be acquired.

Lowering

1. Raise load high enough to clear the jack stands; then, carefully remove jack stands.
2. Slowly turn the handle counterclockwise, but no more than a ½ turn.
If the load fails to lower:
 - a. Use another jack to raise the vehicle high enough to reinstall jack stands
 - b. Remove the affected jack and then the stands.
 - c. Using the other jack, lower the load by turning the operating handle counterclockwise, but no more than a ½ turn.
3. After removing jack from under the load, push saddle down to reduce ram exposure to rust and contamination.

CARE AND MAINTENANCE

Important: Use only a quality grade hydraulic jack oil. Avoid mixing different types of fluid and NEVER use brake fluid, turbine oil, transmission fluid, motor oil or glycerin. Improper fluid can cause failure of the jack and the potential for sudden and immediate loss of load.

Adding oil

1. With saddle fully lowered, set jack in its upright, level position. Locate and remove oil filler plug.
2. Fill with oil even with the bottom of oil filler plug hole. Reinstall the oil filler plug.

Changing oil

For best performance and longest life, replace the complete fluid supply at least once per year.

1. With saddle fully lowered, remove the oil filler plug.
2. Lay the jack on its side and drain the fluid into a suitable container.

Note: Dispose of hydraulic fluid in accordance with local regulations.

3. Fill with oil even with the bottom of oil filler plug hole. Reinstall the oil filler plug.

Lubrication

A periodic coating of light lubricating oil to pivot points will help to ensure that pump piston linkages move freely.

Note: Never apply oil to the saddle. If saddle extension threads require lubrication; clean thread surfaces with a clean, dry cloth, then apply a drop of bearing grease to the threads. Distribute as evenly as possible along the threaded post.

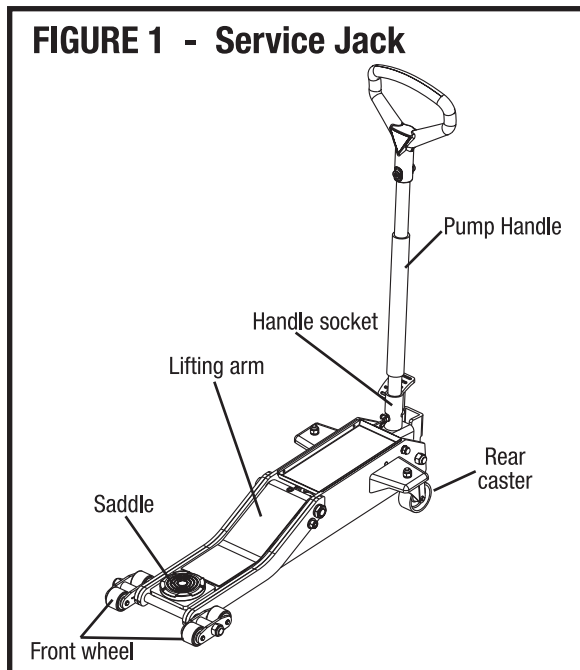
Cleaning

Periodically check the pump piston and ram for signs of rust or corrosion. Clean as needed and wipe with an oily cloth.

Note: Never use sandpaper or abrasive material on these surfaces.

Storage

Store the jack with the pump piston, ram plunger, and saddle fully lowered. Ensure the release valve is open, but never more than ½ turn. This will help prevent rust and corrosion to those critical surfaces.



TROUBLESHOOTING

Symptom	Possible Causes	Corrective Actions
Jack will not lift load	<ul style="list-style-type: none"> Release valve not tightly closed Load is too heavy 	<ul style="list-style-type: none"> Ensure release valve is closed. Use the provided handle to engage the release valve. Turn the release valve clockwise until firm resistance is felt. Consider higher capacity jack.
Jack bleeds off* after lift * "bleeds off" means the load slowly and unintentionally lowers after lifting	<ul style="list-style-type: none"> Hydraulic unit malfunction 	<ul style="list-style-type: none"> Contact Customer Support
While lowering, fluid leaks from reservoir area Jack saddle will not descend to lowest advertised height	<ul style="list-style-type: none"> Reservoir overfilled Ram plunger/cylinder deformed, seized up in ram cylinder and/or top nut, likely the result of off-center loading 	<ul style="list-style-type: none"> Drain fluid to proper level. Contact Customer Support.
Ram plunger will not remain lowered after released from contact with load (creeps back up)	<ul style="list-style-type: none"> Air trapped in system 	<ul style="list-style-type: none"> IF there is no longer contact between the lifted load and the jack saddle, simply remove the jack and follow the Owners Manual Maintenance instructions for bleeding air from system. However, IF there is any loaded contact between the saddle and the vehicle, <u>STOP</u>. Use another jack to raise the load high enough to re-install jack stands. Remove the affected jack, then the stands. Using the other jack, lower the load by turning the release valve counter-clockwise, but never more than 1/2 full turn, then follow the Owners Manual Maintenance instructions for bleeding air from system.
Poor lift performance	<ul style="list-style-type: none"> Fluid level low Air trapped in system Hydraulic unit malfunction 	<ul style="list-style-type: none"> Ensure proper fluid level. Carefully follow the Owners Manual instructions for bleeding/venting the jack. Contact Customer Support.
Will not lift to full extension	<ul style="list-style-type: none"> Fluid level low 	<ul style="list-style-type: none"> Ensure proper fluid level

WARRANTY

ONE YEAR LIMITED WARRANTY

For a period of one year from date of purchase, the manufacturer will repair or replace, at its option, without charge, any of its products which fail due to a defect in material or workmanship, or which fail to conform to any implied warranty not excluded hereby.

Performance of any obligation under this warranty may be obtained by returning the warranted product, including dated purchase receipt, to the retailer or distributor where the product was purchased.

For warranted service during the warranty period, the product must be returned to the retailer. Consumers should only submit product for repair directly to a warranty repair facility after the product warranty has expired. For the nearest approved Service Repair Facility, contact 1-888-448-6746, 8a.m. – 5p.m. PST, Monday – Friday.

ALL WARRANTY SERVICE DURING THE WARRANTY PERIOD MUST BE HANDLED DIRECTLY THROUGH THE RETAILER.

Except where such limitations and exclusions are specifically prohibited by applicable law, (1) the CONSUMER'S SOLE AND EXCLUSIVE REMEDY SHALL BE THE REPAIR OR REPLACEMENT OF DEFECTIVE PRODUCTS AS DESCRIBED ABOVE, and (2) THE MANUFACTURER SHALL NOT BE LIABLE FOR ANY CONSEQUENTIAL OR INCIDENTAL DAMAGE OR LOSS WHATSOEVER, and (3) THE DURATION OF ANY AND ALL EXPRESSED AND IMPLIED WARRANTIES, INCLUDING, WITHOUT LIMITATION, ANY WARRANTIES OF MERCHANTABILITY AND FITNESS FOR A PARTICULAR PURPOSE, IS LIMITED TO A PERIOD OF ONE YEAR FROM DATE OF PURCHASE.

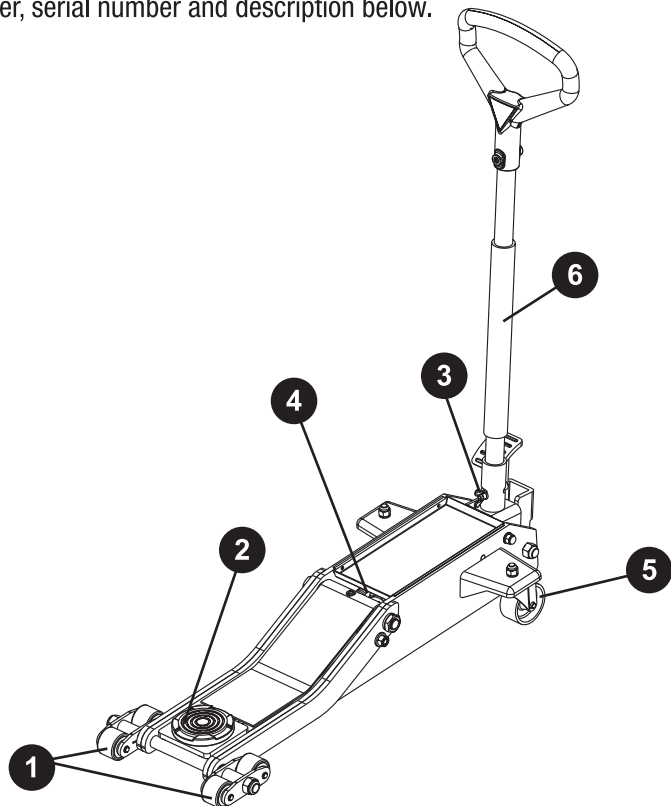
This warranty gives you specific legal rights, and you may also have other rights which vary from state to state.

REPLACEMENT PARTS LIST

For replacement parts, call our customer service department at 1-888-448-6746, 8 a.m. - 5 p.m., PST, Monday - Friday.

Not all components of the jack are replacement items but are illustrated as a convenient reference of location and position in the assembly sequence. When ordering parts, give model number, serial number and description below.

Part No.	Description	Quantity
1	Front wheel assembly	2
2	Saddle	1
3	Socket Handle Screw	1
4	Power unit assembly	1
5	Rear wheel	2
6	Pump Handle	1



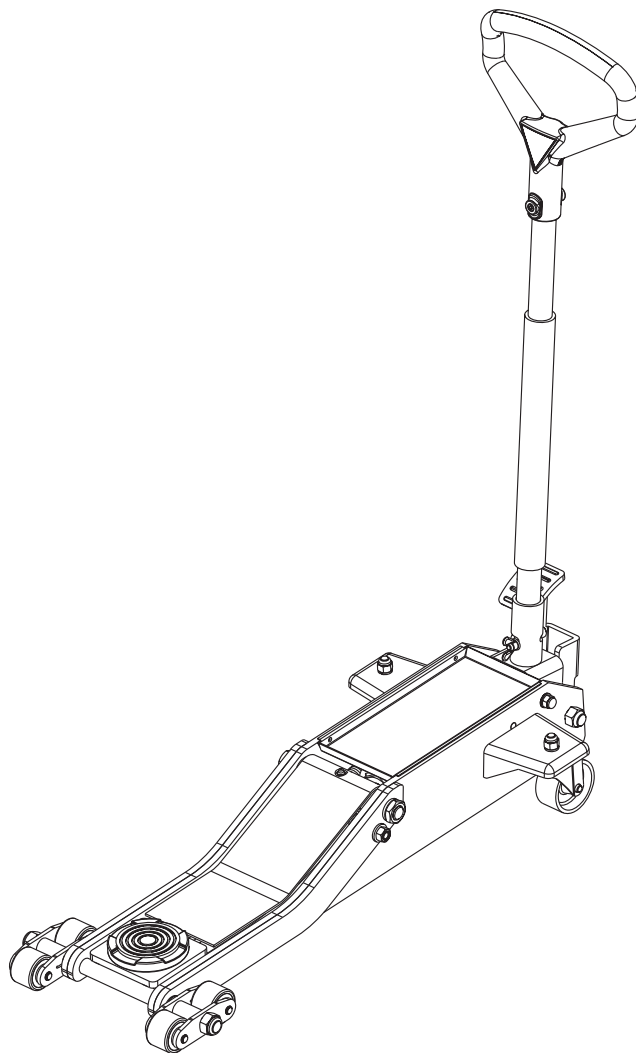


Cric à profil bas de 2 tonnes de qualité professionnelle

CAPACITÉ de 40 000 lb
Portée de levée de 7,6 cm à 51 cm

MODÈLE N° TCE82002

Français



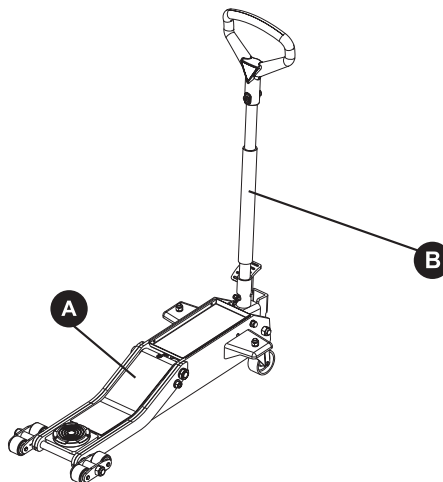
Ce signe indique un danger potentiel. Il est utilisé pour avertir l'utilisateur des risques potentiels de blessures corporelles. Prière de respecter toutes les consignes de sécurité qui suivent ce symbole afin d'éviter les risques de blessure ou de décès.



Questions, problèmes ou pièces manquantes? Avant de retourner chez le détaillant, appeler notre service à la clientèle au 1 888 448-6746, de 8 h à 17 h HNP, du lundi au vendredi.

CONTENU DE L'EMBALLAGE

Pièce	Description	Quantité
A	Cric	1
B	Manche du cric	1



▲ RENSEIGNEMENTS SUR LA SÉCURITÉ

Conserver ces directives. Pour sa sécurité, l'utilisateur doit lire, comprendre et suivre les directives fournies avec et sur ce cric avant l'utilisation. Le propriétaire et/ou l'utilisateur de cet appareil de levage doit comprendre le fonctionnement de ce cric ainsi que les procédures d'utilisation sécuritaire avant de l'utiliser. Le propriétaire et/ou l'utilisateur doit savoir que l'utilisation et la réparation de cet appareil peuvent nécessiter des habiletés et connaissances spéciales. Les directives et renseignements sur la sécurité doivent être fournis dans la langue maternelle de l'utilisateur avant que celui-ci soit autorisé à utiliser le cric. S'il existe tout doute quant à l'utilisation sécuritaire et appropriée de ce cric, il faut le retirer de la circulation immédiatement.

Inspecter avant chaque utilisation. Ne pas utiliser en présence de pièces brisées, déformées, fissurées ou endommagées (y compris les étiquettes). Tout cric qui semble endommagé de quelque façon que ce soit, qui ne fonctionne pas normalement ou qui présente des pièces manquantes, doit être retiré de la circulation immédiatement. S'il y a raison de croire que le cric a été soumis à un choc (c'est-à-dire qu'une charge est brusquement tombée sur le cric), cesser l'utilisation immédiatement jusqu'à ce que le cric ait été vérifié par un atelier autorisé par le fabricant (communiquer avec le distributeur ou le fabricant pour obtenir une liste des ateliers autorisés). Il est recommandé qu'une inspection annuelle soit effectuée par un technicien qualifié. Les étiquettes et manuels du propriétaire peuvent être obtenus auprès du fabricant.

DESCRIPTION DU PRODUIT

Les crics hydrauliques sont conçus pour lever et non soutenir une extrémité du véhicule. Les crics hydrauliques doivent être utilisés avec une paire de chandelles dont la capacité de charge nominale est suffisante.

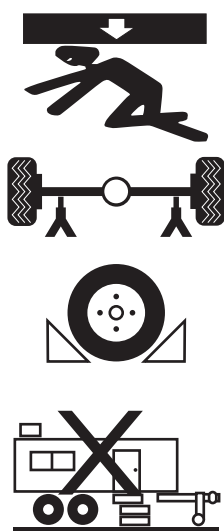


NE JAMAIS utiliser un cric automobile seul. Après le levage, soutenir immédiatement la charge levée à l'aide d'une paire de chandelles dont la capacité de charge nominale est suffisante.



AVERTISSEMENT!

1. LIRE, ÉTUDIER ET COMPRENDRE TOUS LES AVERTISSEMENTS ET DIRECTIVES D'UTILISATION AVANT L'UTILISATION DE CE CRIC.
2. NE PAS DÉPASSER LA CAPACITÉ DE CHARGE NOMINALE.
3. CE CRIC DOIT ÊTRE UTILISÉ EXCLUSIVEMENT SUR DES SURFACES DURES ET DE NIVEAU POUVANT SUPPORTER LA CHARGE.
4. CET APPAREIL DOIT SERVIR UNIQUEMENT AU LEVAGE. DES CHANDELLES DOIVENT ÊTRE PLACÉES SOUS LA CHARGE IMMÉDIATEMENT APRÈS LE LEVAGE.
5. NE PAS SE PLACER NI PERMETTRE À QUICONQUE DE SE PLACER SOUS LE VÉHICULE AVANT QU'IL SOIT SOUTENU PAR DES CHANDELLES.
6. SOULEVER SEULEMENT AUX POINTS D'APPUI QUI ONT ÉTÉ INDICUÉS PAR LE CONSTRUCTEUR DU VÉHICULE.
7. CENTRER LA CHARGE SUR LA SELLE AVANT LE LEVAGE.
8. CERTAINS VÉHICULES REQUIÈRENT L'UTILISATION D'UN ADAPTATEUR POUR ENGAGER CORRECTEMENT LE CHÂSSIS AVANT LE LEVAGE. UTILISER LES DIRECTIVES DE LEVAGE DU CONSTRUCTEUR DU VÉHICULE.
9. NE PROCÉDER À AUCUNE MODIFICATION DE CE CRIC.
10. SEULS LES FIXATIONS, LES DISPOSITIFS DE RETENUE, OU LES ADAPTATEURS FOURNIS PAR LE FABRICANT DOIVENT ÊTRE UTILISÉS.
11. LE NON-RESPECT DE CES AVERTISSEMENTS PEUT ENTRAÎNER DES BLESSURES CORPORELLES ET/OU DES DOMMAGES MATÉRIELS.

	<p style="text-align: center;">⚠ AVERTISSEMENT!</p> <p>Afin d'éviter les blessures par écrasement et les blessures connexes :</p> <ul style="list-style-type: none"> • Ne jamais travailler sur, sous ou à proximité d'une charge soutenue seulement par un cric hydraulique. • Lire, comprendre et suivre toutes les directives fournies avec et sur ce cric. • Immédiatement soutenir la charge levée à l'aide d'une paire de chandelles dont la capacité de charge nominale est suffisante. • Utiliser SEULEMENT avec des véhicules dont les points d'appui sont compatibles avec la selle de ce cric. Une incompatibilité pourrait entraîner des dommages à la structure du véhicule et/ou du cric. • Caler dans les deux sens chaque roue non levée. • Être alerte et sobre lors de l'entretien d'un véhicule! Ne jamais utiliser cet appareil de levage sous l'effet de l'alcool ou de la drogue. • NE PAS utiliser cet appareil pour lever, niveler, abaisser, soutenir, ajuster ou autrement déplacer une maison, une maison mobile, une caravane, une tente-roulotte ou une structure d'édifice de tout genre, taille ou configuration.
---	--

⚠ *S'assurer que tous les outils et employés sont à l'écart avant d'abaisser la charge. Seuls les accessoires et/ou adaptateurs fournis par le fabricant doivent être utilisés. Utiliser uniquement les points d'appui indiqués par le constructeur.*

PRÉPARATION

AVANT L'UTILISATION (consulter la figure 1)

1. Confirmer la compatibilité du cric et du véhicule à lever. En cas de doute, communiquer avec le soutien à la clientèle.
2. Avant d'utiliser cet appareil, lire le manuel du propriétaire en entier, bien se familiariser avec l'appareil et ses composants et reconnaître les risques liés à son utilisation.
3. Afin de se familiariser avec l'utilisation de base, utiliser l'extrémité matricée du manche fourni pour engager et tourner la soupape de dégagement :
 - a. dans le sens horaire jusqu'à ce qu'une forte résistance soit ressentie. Il s'agit de la position FERMÉE de la soupape de dégagement utilisée pour lever la charge.
 - b. dans le sens antihoraire, au maximum un demi-tour à partir de la position fermée. Il s'agit de la position OUVERTE utilisée pour abaisser la charge.
4. Abaisser complètement la selle, localiser et retirer le couvercle, puis retirer le bouchon de remplissage d'huile. Insérer le manche dans son support et donner de 6 à 8 coups de pompe. Cela purgera l'air pressurisé qui pourrait être emprisonné dans le réservoir. Vérifier le niveau d'huile. Le niveau approprié varie de juste au-dessus du cylindre du vérin à 3/16 po au-dessus de ce dernier tel qu'observable par l'orifice du bouchon de remplissage d'huile. Réinstaller le bouchon de remplissage d'huile.
5. S'assurer que le cric roule librement, s'il y a lieu, et que la pompe peut facilement être actionnée avant l'utilisation. Remplacer les pièces et assemblages usés ou endommagés seulement par des pièces de rechange autorisées par le fabricant. Communiquer avec le fabricant ou le distributeur de cet appareil pour obtenir une liste des ateliers autorisés. Lubrifier selon les directives de la section Entretien.

Purger l'air emprisonné


Avec la soupape de dégagement en position OUVERTE et la selle complètement abaissée, localiser et retirer le bouchon de remplissage d'huile. Insérer le manche dans son support et donner de 6 à 8 coups de pompe. Cela purgera l'air pressurisé qui pourrait être emprisonné dans le réservoir. Le niveau d'huile devrait être au même niveau que la partie inférieure de l'orifice du bouchon de remplissage d'huile. Réinstaller le bouchon de remplissage d'huile.

DIRECTIVES D'UTILISATION (Voir figure 1)

 Ce signe indique un danger potentiel. Il est utilisé pour avertir l'utilisateur des risques potentiels de blessures corporelles. Prière de respecter toutes les consignes de sécurité qui suivent ce symbole afin d'éviter les risques de blessure ou de décès.

Levage

1. Le levier de vitesse du véhicule doit être en position Park et le frein à main doit être enclenché. Les roues doivent être solidement calées afin d'éviter les déplacements involontaires.
2. Localiser et fermer la soupape de dégagement en tournant le manche dans le sens horaire jusqu'à ce qu'une forte résistance soit ressentie. Centrer la selle du cric sous le point d'appui.
3. Vérifier le point d'appui, insérer le manche dans son support et actionner la pompe jusqu'à ce que la selle atteigne le point d'appui. Pour lever, actionner la pompe jusqu'à ce que la charge atteigne la hauteur voulue.
4. Transférer la charge immédiatement sur une paire de chandelles dont la capacité de charge nominale est suffisante.

 Utiliser seulement le manche fourni par le fabricant du cric. Le manche fourni avec ce cric engagera la soupape de dégagement de façon sécuritaire et actionnera le support de manche. Si le manche est usé, ne fonctionne pas normalement ou n'engage pas correctement la soupape de dégagement, CESSER l'utilisation. Ne plus utiliser le cric jusqu'à ce qu'un manche de rechange du fabricant puisse être commandé.

Abaissement

1. Lever la charge suffisamment pour qu'elle ne repose plus sur les chandelles, puis les retirer prudemment.
2. Tourner le manche lentement dans le sens antihoraire, au maximum un demi-tour. Si la charge ne s'abaisse pas :
 - a. utiliser un deuxième cric pour lever le véhicule suffisamment pour réinstaller les chandelles;
 - b. retirer le premier cric et les chandelles;
 - c. à l'aide du deuxième cric, abaisser la charge en tournant le manche dans le sens antihoraire, au maximum un demi-tour.
3. Après avoir retiré le cric de sous la charge, pousser la selle vers le bas pour réduire l'exposition du vérin à la rouille et à la contamination.

ENTRETIEN

Important : Utiliser seulement une huile pour cric hydraulique de bonne qualité. Éviter de mélanger différents types de fluide. Ne JAMAIS utiliser de liquide de frein, d'huile pour turbine, de liquide de transmission, d'huile moteur ni de glycérol. L'utilisation d'un fluide inapproprié peut entraîner le mal fonctionnement du cric et potentiellement, la perte soudaine de la charge.

Ajouter de l'huile

1. Abaisser complètement la selle et positionner le cric sur une surface de niveau. Localiser et retirer le bouchon de remplissage d'huile.
2. Remplir jusqu'à ce que l'huile soit au même niveau que la partie inférieure de l'orifice du bouchon de remplissage d'huile. Réinstaller le bouchon de remplissage d'huile.

Changer l'huile

Pour un meilleur rendement et une durée de vie prolongée, remplacer tout le fluide au moins une fois par année.

1. Abaisser complètement la selle et retirer le bouchon de remplissage d'huile.
2. Coucher le cric sur le côté et purger le fluide dans un contenant approprié.

Note : Jeter l'huile hydraulique selon les règlements locaux.

3. Remplir jusqu'à ce que l'huile soit au même niveau que la partie inférieure de l'orifice du bouchon de remplissage d'huile. Réinstaller le bouchon de remplissage d'huile.

Lubrification

L'application périodique d'huile lubrifiante légère aux points de pivotement assurera que la tringlerie du piston de la pompe bouge librement.

Note : Ne jamais appliquer d'huile sur la selle. Si la vis d'extension de la selle doit être lubrifiée, nettoyer le filetage à l'aide d'un chiffon propre et sec, puis appliquer une goutte de graisse à roulement au filetage. Étendre aussi uniformément que possible sur la vis filetée.

Nettoyage

Vérifier périodiquement si le piston de la pompe et le vérin présentent des signes de rouille ou de corrosion. Les nettoyer au besoin et les essuyer à l'aide d'un chiffon huilé.

Note : Ne jamais utiliser de papier abrasif ou autre matériel abrasif sur ces surfaces.

Entreposage

Ranger le cric avec le piston de la pompe, le vérin et la selle complètement abaissés. S'assurer que la soupape de dégagement est ouverte, au maximum d'un demi-tour. Cela empêchera l'apparition de rouille et de corrosion à ces endroits critiques.

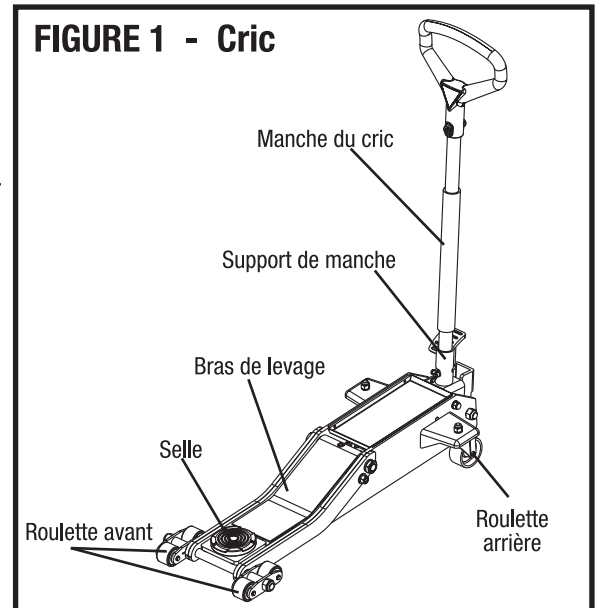


TABLEAU DE DÉPANNAGE

Problème	Causes possibles	Mesures correctives
Le cric ne lève pas la charge.	<ul style="list-style-type: none"> • La soupape de dégagement n'est pas bien fermée. • La charge est trop lourde. 	<ul style="list-style-type: none"> • S'assurer que la soupape de dégagement est fermée. Utiliser le manche fourni pour engager la soupape de dégagement et la tourner dans le sens horaire jusqu'à ce qu'une forte résistance soit ressentie. • Considérer l'utilisation d'un cric à capacité de charge nominale supérieure.
La selle du cric s'abaisse lentement après le levage.	<ul style="list-style-type: none"> • Défaillance du bloc hydraulique. 	<ul style="list-style-type: none"> • Communiquer avec le soutien à la clientèle.
<p>Lors de l'abaissement, il y a une fuite de fluide provenant du réservoir.</p> <p>La selle ne s'abaisse pas jusqu'à la hauteur annoncée.</p>	<ul style="list-style-type: none"> • Le réservoir est trop plein. • Le vérin est déformé, coincé dans le cylindre et/ou l'écrou supérieur, ce qui a probablement été entraîné par une charge décentrée. 	<ul style="list-style-type: none"> • Purger le fluide jusqu'au niveau approprié. • Communiquer avec le soutien à la clientèle.
Le vérin ne demeure pas abaissé après avoir été dégagé de la charge (il remonte doucement).	<ul style="list-style-type: none"> • Air emprisonné dans le système. 	<ul style="list-style-type: none"> • S'IL n'y a plus contact entre la charge levée et la selle du cric, il suffit de retirer le cric et de suivre les directives d'entretien du manuel du propriétaire pour purger l'air du système. Par contre, S'IL y a contact entre la selle et le véhicule, CESSER l'utilisation. Utiliser un deuxième cric pour lever la charge suffisamment pour réinstaller les chandelles. Retirer le premier cric et les chandelles. À l'aide du deuxième cric, abaisser la charge en tournant le manche dans le sens antihoraire, au maximum un demi-tour. Ensuite, suivre les directives d'entretien du manuel du propriétaire pour purger l'air du système.
Mauvais rendement de levage.	<ul style="list-style-type: none"> • Faible niveau de fluide. • Air emprisonné dans le système. • Mauvais fonctionnement du bloc hydraulique. 	<ul style="list-style-type: none"> • Assurer un bon niveau de fluide. • Suivre à la lettre les directives du manuel du propriétaire pour la purge du cric. • Communiquer avec le soutien à la clientèle.
Ne lève pas jusqu'à la hauteur maximale.	<ul style="list-style-type: none"> • Faible niveau de fluide. 	<ul style="list-style-type: none"> • S'assurer qu'il y a suffisamment de fluide dans le réservoir.

GARANTIE

GARANTIE LIMITÉE D'UN AN

Pendant un an à compter de la date d'achat, le fabricant réparera ou remplacera, à sa discrétion et sans frais, n'importe lequel de ses produits défectueux en raison d'un défaut matériel ou d'une erreur d'exécution ou de ses produits qui ne respectent pas toute garantie tacite non exclue par la présente.

L'exécution de toute obligation de cette garantie peut être obtenue en retournant le produit garanti, y compris le reçu d'achat daté, au détaillant ou distributeur où le produit a été acheté.

Pour obtenir un service sous garantie durant la période de garantie, le produit doit être retourné au détaillant. Les clients ne doivent envoyer un produit à réparer directement à un atelier pour réparation sous garantie qu'après l'expiration de la garantie dudit produit. Pour connaître l'atelier de réparation le plus près, composer le 1 888 448-6746, de 8 h à 17 h HNP, du lundi au vendredi.

TOUT SERVICE GARANTI EFFECTUÉ DURANT LA PÉRIODE DE GARANTIE DOIT ÊTRE TRAITÉ DIRECTEMENT PAR LE DÉTAILLANT.

Sauf lorsque de telles limitations et exclusions sont spécifiquement interdites par les lois applicables, (1) le SEUL ET UNIQUE RECOURS DU CLIENT SERA LA RÉPARATION OU LE REMPLACEMENT DES PRODUITS DÉFECTUEUX TELS QUE DÉCRITS PRÉCÉDEMMENT, et (2) LE FABRICANT NE SERA PAS RESPONSABLE POUR TOUT DOMMAGE INDIRECT OU PERTE QUELCONQUE, et (3) LA DURÉE DE TOUTE GARANTIE EXPRESSE OU TACITE, Y COMPRIS SANS S'Y LIMITER, TOUTE GARANTIE DE QUALITÉ MARCHANDE ET ADAPTA-TION À UN USAGE PARTICULIER, EST LIMITÉE À UNE PÉRIODE D'UN AN À COMPTER DE LA DATE D'ACHAT.

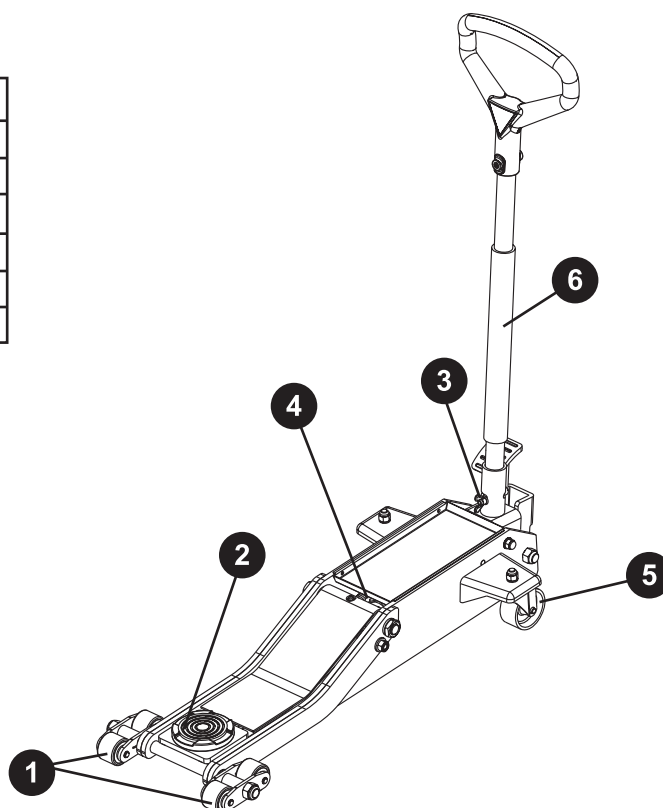
Cette garantie donne à l'utilisateur des droits légaux spécifiques. Certains autres droits diffèrent d'une juridiction à l'autre.

LISTE DES PIÈCES DE RECHANGE

Pour obtenir des pièces de rechange, communiquer avec notre service à la clientèle au 1 888 448-6746, de 8 h à 17 h HNP, du lundi au vendredi.

Les pièces du cric ne peuvent pas toutes être remplacées, mais apparaissent dans l'illustration à titre de référence pratique quant à leur emplacement et à leur ordre dans la séquence d'assemblage. Lors de la commande de pièces, fournir le numéro de modèle, le numéro de série et la description ci-dessous.

N° pièce	Description	Quantité
1	Roulette avant	2
2	Selle	1
3	Vis du support de manche	1
4	Bloc hydraulique	1
5	Roulette arrière	2
6	Manche du cric	1



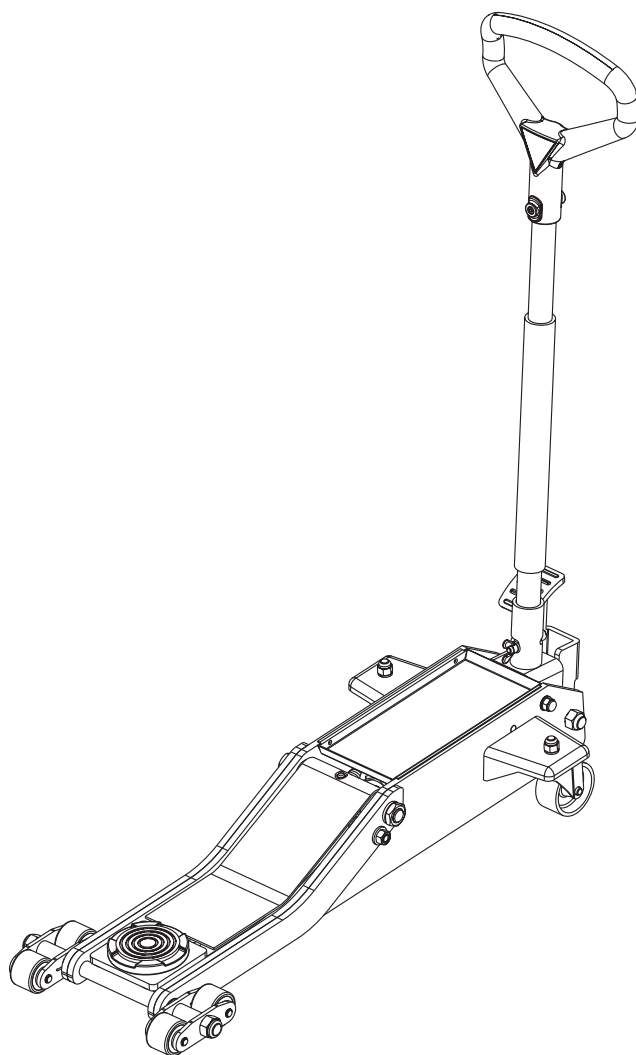


Gato de Servicio de Perfil Bajo Profesional de 2 Toneladas

CAPACIADA 40,000 lbs.
Rango de Levantamiento: 3" - 20-1/16"

MODELO TCE82002

Español



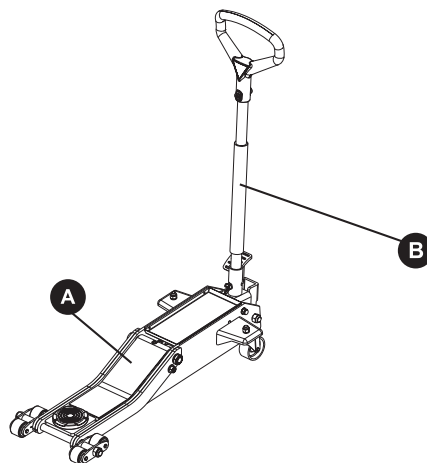
Este es el símbolo de advertencia de seguridad. Esto se usa para alertarle a riesgos potenciales de lesiones personales. Obedezca todos los mensajes de seguridad que siguen este símbolo para evitar una posible lesión o muerte.



¿Preguntas, problemas, partes que faltan? Antes de devolver a su detallista, llame a nuestro departamento de servicio al cliente al 1-888-448-6746, de 8:00 am a 5 pm de lunes a viernes, Hora del Pacífico.

CONTENIDO DE PAQUETE

Parte	Descripción	Cantidad
A	Gato	1
B	Mango	1



▲ INFORMACIÓN DE SEGURIDAD

Guarde estas instrucciones. Para su seguridad, lea, entienda, y siga la información proporcionada con y sobre este producto antes de usarlo. El dueño y/o el operador de este equipo deberán tener un entendimiento de los procedimientos de uso/funcionamiento seguros antes de intentar de usarlo. El dueño y/o el operador deberán estar conscientes que el uso de este producto puede exigir habilidades y conocimientos especiales. Las instrucciones y la información de seguridad serán comunicadas al operador en la lengua materna del operador antes que se autorice el uso de este aparato. Si existe alguna duda en cuanto al uso seguro y apropiado de este gato según detallado en este manual autorizado de fábrica, retírelo del servicio inmediatamente.

Inspeccione antes de cada uso. No use si se notan partes rotas, dobladas, rajadas, o dañadas (incluso las etiquetas). Si el gato parece dañado de cualquier modo, funciona anormalmente o le faltan partes, debería ser retirado del servicio inmediatamente y notifique al fabricante. Si usted sospecha que el producto fue sometido a una carga de choque (una carga que le cayó de repente), inmediatamente descontinúe su uso hasta que el gato haya sido examinado por un centro de servicio autorizado de fábrica (póngase en contacto con el distribuidor o el fabricante para la lista de Centros de Servicio Autorizados). Se recomienda que una inspección anual sea hecha por personal calificado. Las etiquetas y los manuales del dueño están disponibles del fabricante. Ningunas otras partes están disponibles para este aparato.

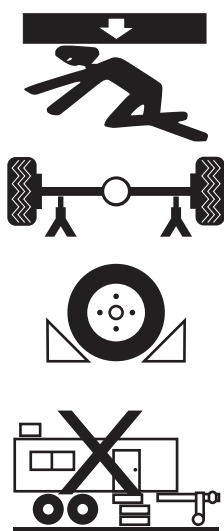

DESCRIPCIÓN DE PRODUCTO


Los gatos de piso hidráulicos están diseñados para levantar, pero no apoyar, un extremo de un vehículo. Los gatos de piso hidráulicos deben ser usados en conjunto con un par de soportes ajustables de capacidad apropiada.

 **NUNCA** use un gato automotriz como un aparato único. Después de levantar, inmediatamente apoye la carga levantada con un par de soportes ajustables de capacidad asignada apropiada.

¡ADVERTENCIA!

1. LEA, ESTUDIE Y ENTIENDA TODAS LAS INSTRUCCIONES Y ADVERTENCIAS ANTES DE USAR
2. NO SOBRECARGUE ESTE GATO MÁS ALLÁ DE SU CAPACIDAD ASIGNADA
3. ESTE GATO ESTÁ DISEÑADO PARA USARSE SÓLO EN SUPERFICIES PLANAS Y DURAS CAPACES DE SOPORTAR LA CARGA.
4. ESTE ES UN APARATO SÓLO PARA LEVANTAMIENTO. LA CARGA DEBE SER APOYADA DE INMEDIATO POR SOPORTES AJUSTABLES.
5. NO SE COLOQUE DEBAJO O PERMITA CUALQUIERA DEBAJO DEL VEHÍCULO HASTA QUE HAYA SIDO APOYADO POR LOS SOPORTES AJUSTABLES.
6. LEVANTE SÓLO EN EL ÁREA DEL VEHÍCULO ESPECIFICADO POR EL FABRICANTE DEL VEHÍCULO.
7. CENTRE LA CARGA EN LA PLATAFORMA ANTES DEL LEVANTAMIENTO.
8. ALGUNOS VEHÍCULOS REQUIEREN UN ADAPTADOR PARA PODER ENGANCHAR PROPIAMENTE EL ARMAZON PARA EL LEVANTAMIENTO. USE LAS INSTRUCCIONES PROVEIDAS POR EL FABRICANTE PARA UN LEVANTAMIENTO PROPIO.
9. NO DEBERA HACERSE ALTERACIONES A ESTE GATO.
10. SOLAMENTE LAS CONEXIONES, LOS ALOJAMIENTOS, O LOS ADAPTADORES PROVÉIDOS POR EL FABRICANTE SERÁN UTILIZADOS.
11. FALTA DE PRESTAR ATENCIÓN A ESTAS ADVERTENCIAS PODRIA RESULTAR EN LESIÓN PERSONAL O DAÑO A LA PROPIEDAD.

	 ¡ADVERTENCIA!
	<p>Evitar las heridas relacionadas al aplastamiento:</p> <ul style="list-style-type: none"> • Nunca trabajan en, debajo, o alrededor de una carga apoyada sólo por un gato hidráulico. • Lea, entienda y siga todos los materiales impresos proporcionados con y en este gato. • Inmediatamente apoye la carga levantada con un par de soportes ajustables de capacidad apropiada. • Use SÓLO en vehículos cuyos puntos de levantamiento son compatibles con la silla de este gato. La incompatibilidad puede causar el daño estructural al vehículo y/o el gato. • Calce cada llanta no levantado en ambas direcciones. • ¡Este alerta y sobrio al atender un vehículo! Nunca opere este equipo cuando esté bajo la influencia de drogas o alcohol. • NO use este aparato para levantar, nivelar, bajar, apoyar, ajustar o de otro modo mover una casa, casa móvil, remolque de viajes, remolque campero, o estructura de cualquier tipo, tamaño o configuración.

 *Esté seguro que todas las herramientas y el personal estén alejados antes de bajar la carga. Sólo los accesorios y/o adaptadores suministrados por el fabricante deben ser usados. Levante sólo en áreas del vehículo especificado por el fabricante del vehículo.*

PREPARACIÓN


ANTES DE USAR (refiera a la Figura 1)

1. Verificar que el producto y la aplicación son compatibles. Si tiene duda, póngase en contacto con el Apoyo al Cliente.
2. Antes de usar este producto, lea el manual del dueño completamente y familiarícese a fondo con el producto y sus componentes, y reconozca los riesgos asociados con su uso.
3. Para familiarizarse con la operación básica, use el extremo estampado del mango proporcionado para activar y girar la válvula de liberación:
 - a. A la derecha hasta que se sienta resistencia firme para apretar las roscas. Esta es la posición de válvula de liberación 'CERRADA' usada para levantar la carga.
 - b. A la izquierda, pero no más de 1/2 vuelta de la posición cerrada. Esta es la posición de válvula de liberación 'ABIERTA' usada para bajar la carga.
4. Con la silla totalmente bajada, localice y retire la placa de tapa, entonces saque el tapón de llenar el aceite. Coloque el mango en la camisa; entonces bombee 6 a 8 veces plenos. Esto ayudará a liberar cualquier aire presurizado que puede estar atrapado dentro del embalse. Revise el nivel del aceite. El nivel del aceite apropiado varía desde justo cubrir el cilindro de pistón a 3/16 en. encima de 130 según visto del agujero de llenar el aceite. Instale de nuevo el tapón de llenar el aceite.
5. Revise para asegurar que el gato rueda libremente (de ser equipado de esa manera) y que la bomba funciona suavemente antes de ponerlo en servicio. Sustituya las partes gastadas o dañadas y los ensamblajes sólo con repuestos autorizados de fábrica. Póngase en contacto con el fabricante o el distribuidor de este producto para una lista de centros de servicio autorizados por la fábrica. Lubrique según instruido en la Sección de Mantenimiento.

Purgar / Descarga del Aire Atrapado


Con la válvula de liberación en la posición ABIERTA y con la plataforma totalmente bajada, localizar y saque el tapón de llenar el aceite. Coloque el mango en la camisa; entonces bombee 6 a 8 veces plenos. Esto ayudará a liberar cualquier aire presurizado que puede estar atrapado dentro del embalse. El nivel del aceite debería estar justo con el fondo del agujero del tapón de llenar el aceite. Instale de nuevo el tapón de relleno del aceite.

INSTRUCCIONES DE OPERACIÓN (Refiera a la Figura 1)

 Este es el símbolo de advertencia de seguridad. Esto se usa para alertarle a riesgos potenciales de lesiones personales. Obedezca todos los mensajes de seguridad que siguen este símbolo para evitar una posible lesión o muerte.

Levantamiento

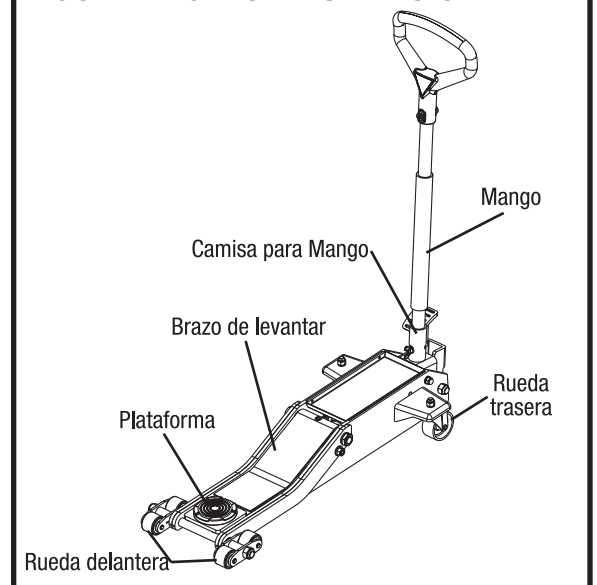
1. Coloque el vehículo en Park con freno de emergencia puesto y las ruedas bien calzadas para evitar el movimiento involuntario del vehículo.
2. Localizar y cerrar la válvula de liberación girando el mango da la derecha hasta que se sienta resistencia firme para apretar las roscas. Centre la plataforma del gato debajo del punto de levantamiento.
3. Verifique el punto de levantamiento, inserte el mango en el manguito y bombee para hacer contacto con el punto de levantamiento. Para levantar, bombee el mango hasta que la carga alcanza la altura deseada.
4. Transfiera la carga inmediatamente a un par de soportes ajustables de capacidad apropiada.

 Sólo use el ensamblaje de mango proporcionado por el fabricante del gato. El ensamblaje de mango proveído con este gato engranará sin peligro la válvula de liberación y hace funcionar el manguito del mango. Si el mango está gastado, funciona anormalmente, o no engrana positivamente con la válvula de liberación, PARE. Discontinúe el uso del gato hasta un ensamblaje de mango de fábrica puede ser adquirido.

Bajada

1. Levante la carga lo suficiente alta para por sacar los soportes ajustables; entonces, con cuidado saque los soportes ajustables.
2. Con despacio gire el mango a la izquierda, pero no más de una ½ vuelta. Si la carga deja de bajar:
 - a. Use otro gato para levantar el vehículo lo suficiente alto para instalar de nuevo los soportes ajustables.
 - b. Saque el gato afectado y luego los soportes ajustables.
 - c. Usando el otro gato, baje la carga girando el mango de operaciones a la izquierda, pero no más de una ½ vuelta.
3. Después de retirar gato de la carga, empuje la plataforma hacia abajo para reducir la exposición del pistón al óxido y la contaminación.

FIGURA1 - GATO DE SERVICIO



CUIDADO Y MANTENIMIENTO

Importante: Use sólo un aceite de gato hidráulico de calidad. Evite mezclar tipos diferentes de líquido y NUNCA use líquido de freno, el aceite de turbina, líquido de transmisión, aceite de motor o glicerina. El líquido incorrecto puede causar la falla del gato y el potencial para una pérdida de carga repentina e inmediata

Añadir aceite

1. Con la plataforma totalmente bajada, coloque el gato en su posición correcta y nivelada. Localice y saque el tapón de relleno del aceite.
2. Llene con aceite hasta que quede justo con el fondo del agujero de relleno del aceite. Instale de nuevo el tapón de relleno del aceite.

Cambiar el aceite

Para el mejor rendimiento y vida más larga, sustituya el suministro de líquido completamente al menos una vez por año.

1. Con la silla totalmente bajada, saque el tapón de relleno del aceite.
2. Coloque el a su lado y drenar el líquido dentro de un recipiente conveniente.

Note: *Deshacerse del líquido hidráulico según las regulaciones locales.*

3. Llene con aceite hasta que quede justo con el fondo del agujero de relleno del aceite. Instale de nuevo el tapón de relleno del aceite

Lubricación

Una capa periódica del aceite lubricante ligero en los puntos de pivote ayudará a asegurar que las articulaciones que bombean el pistón se muevan libremente.

Note: Nunca aplique aceite a la plataforma. Si las roscas de extensión de la plataforma requieren lubricación; limpie las superficies de las roscas con un trapo limpio y seco entonces aplique una gota de grasa de cojinete a las roscas. Distribuya uniformemente a lo largo del poste enroscado.

Limpieza

Periódicamente revise el pistón de bomba para señales de óxido o corrosión. Limpiar según sea necesario y limpie con un trapo aceitoso.

Note: Nunca use el papel de lija o material abrasivo en estas superficies.

Almacenaje

Almacene el gato con el pistón de bomba, émbolo, y plataforma totalmente bajada. Asegure que la válvula de liberación está abierta, pero nunca más de ½ vuelta. Esto ayudará a prevenir el óxido y la corrosión a aquellas superficies críticas.

RESOLUCIÓN DE PROBLEMAS

Síntoma	Posibles Causas	Acciones Correctivas
Gato no levantará carga	<ul style="list-style-type: none"> Válvula de liberación no cerrada completamente Carga es demasiada pesada 	<ul style="list-style-type: none"> Asegure que la válvula de liberación está cerrada. Use el mango para engranar con la válvula de liberación. Gire la válvula de liberación a la derecha hasta que se sienta resistencia. Considere un gato de mayor capacidad
Gato se sangra* después de levantar la carga *sangra” significa que la carga se baja lentamente e involuntariamente	<ul style="list-style-type: none"> Falla de la unidad hidráulica 	<ul style="list-style-type: none"> Llame a Apoyo del Cliente
Al bajar, se fuga líquido del área de depósito Plataforma del gato no bajará al nivel más mínimo publicado	<ul style="list-style-type: none"> Depósito sobre llenado Pistón/cilindro deforme y/o trabado dentro del cilindro y/o tuerca superior, probable resultado de carga no bien centrada 	<ul style="list-style-type: none"> Drenar líquido al nivel Correcto Llame a Apoyo del Cliente
Pistón no se mantiene bajado después de ser liberado de contacto con la carga (sube lentamente)	<ul style="list-style-type: none"> Aire atrapado en el sistema 	<p>SI ya no hay contacto entre la carga levantada y la plataforma del gato, simplemente retire el gato y siga el Manual de Mantenimiento del Dueño para sangrar el aire del sistema. Sin embargo, SI hay cualquier contacto cargado entre la plataforma y el vehículo, <u>PARE</u>. Use otro gato para levantar la carga suficientemente alta e instale de nuevo los soportes ajustables.</p> <p>Retire el gato afectado, entonces los soportes. Usando el otro gato, baje la carga girando la válvula de liberación</p> <p>A la izquierda, pero nunca más de 1/2 vuelta completa, entonces siga las instrucciones del Manual de Mantenimiento del Dueño para sangrar el aire de sistema.</p>
Pobre rendimiento de levantar	<ul style="list-style-type: none"> Nivel de líquido muy bajo Aire atrapado en el sistema Falla de la unidad hidráulica 	<ul style="list-style-type: none"> Asegurar nivel de líquido es correcto Siga con cuidado las instrucciones del Manual del Dueño para sangrar el gato Llame a Apoyo del Cliente
No levanta a su extensión máxima	<ul style="list-style-type: none"> Nivel de líquido muy bajo 	<ul style="list-style-type: none"> Asegurar nivel de líquido es correcto

GARANTÍA

GARANTÍA LIMITADA DE UN AÑO

Por el periodo de un año desde la fecha de compra, el fabricante reparará o sustituirá, a su opción, sin cargo, cualquiera de sus productos que fallan debido a un defecto de material o de fabricación, o que dejan de conformarse a cualquier garantía implícita no excluida por este medio.

El rendimiento de cualquiera obligación conforme a esta garantía puede ser obtenida devolviendo el producto garantizado, incluyendo el recibo de compra fechado, al detallista o distribuidor donde el producto fue comprado.

Para el servicio garantizado durante el período de garantía, el producto debe ser devuelto al detallista. Los consumidores sólo deberían llevar el producto para la reparación directamente a una instalación de reparación de garantía después que la garantía del producto se haya vencida. Para la Instalación de Servicio de Reparación aprobada más cercana, póngase en contacto con el 1-888-448-6746, de 8 am. a 5p.m. lunes a viernes, Hora del Pacífico.

TODO EL SERVICIO DE GARANTÍA DURANTE EL PERÍODO DE LA GARANTÍA DEBE SER MANEJADO DIRECTAMENTE A TRAVÉS DEL DETALLISTA.

Excepto donde tales limitaciones y exclusiones son expresamente prohibidas según la ley aplicable, (1) EL SÓLO REMEDIO EXCLUSIVO DEL CONSUMIDOR SERÁ LA REPARACIÓN O REEMPLAZO DE PRODUCTOS DEFECTUOSOS SEGÚN DESCRITO ENCIMA, y (2) EL FABRICANTE NO SERÁ OBLIGADO POR NINGÚN DAÑO CONSIGUIENTE O SECUNDARIO O PÉRDIDA EN ABSOLUTO, y (3) LA DURACIÓN DE CUALQUIERA Y TODAS LAS GARANTÍAS EXPRESADAS E IMPLÍCITAS, INCLUSO, SIN LIMITACIÓN, CUALQUIERA GARANTÍA DE COMERCIALIZAD Y ADECUACIÓN AL PROPÓSITO, ESTÁ LIMITADA A UN PERÍODO DE UN AÑO DESDE LA FECHA DE COMPRA.

Esta garantía le da derechos legales específicos, y usted también puede tener otros derechos que varían de estado a estado.

LISTA DE PARTES DE REPUESTO

Para repuestos, llame nuestro departamento de servicio al cliente al 1-888-448-6746, de 8:00 a.m. a 5:00 p.m. de lunes a viernes, Hora del Pacífico

No todos los componentes del gato son artículos de repuesto, pero son ilustrados como una referencia conveniente de puesto y posición en la secuencia de montaje. Al pedir partes, dé el número modelo, el número de serie y la descripción de abajo.

Número de Parte	Descripción	Cantidad
1	Ensamblaje de ruedas delantera	2
2	Plataforma	1
3	Tornillo para firmar mango	1
4	Ensamblaje de unidad de potencia	1
5	Ruedas traseras	2
6	Mango	1

